

through 20 springs and autumns. With Yongan people's hard working, our company has already developed into a modern and large-scale enterprise,basing on outdoor illuminating and comprehensive development of polytype and industry, also, combining designing, production and marketing into a whole.

Yongan company believe that innovation is the company' s core competitiveness and the original motion to keep on developing.In the past decade, Yongan quickens the pace to update the products, integrate advanced technology elements,so that improve the market competitiveness of the products.Through sending designers to make research in developed countries and getting profound experts guiding, Yongan' s products have their own different style meeting the needs of people from different culture. The products from Yongan are unique model, good illuminating effect, and the quality always ranks first in the same industries. After communicating with clients and compile their feedback opinion, Yongan improves their products and manufacturing technique continually, and builds up its fine name-breed image of world-class illuminating. For those years, Yongan people enrich product' type ceaselessly, and have developed play type energy-saving lamps, such as, high brightness LED, electrode less lamp, solar street light wind-solar street light,etc.All these products are integrated sophisticated technology elements,high quality and stable property,making them

Based on the concept that "quality first, business integrity", Yongan takes strict control and management on the production process and method, brings in advanced management concept and production equipment, and has been awarded the honor of "China Quality Award" both the

Based on the concept that "quality first,business integrity.Yongan's products win warm welcome from customers at all levels, including different government organs, real estate developer and park & garden companies, and all of the products are extensively used in municipal govern mends, real estate sector, park & garden landscape and leisure resort, creating a graceful environment for the social pubic, which confirms Yongan's slogan that: " good light, and good environment". Yongan' s products exceed 8000 different kinds, with generous shape, diverse style and unique design. Due to their own distinguishing features, Yongan' s products are not only warmly welcomed in domestic, but also sold around the world,developing to the business goal that:toward the world.

Yongan emphasize the management concept of " people-oriented" and the training of qualified personel. The manager devotes to operate the company according to the international business standard, and attempt a modern enterprise intergraded with management team, scientific team, production team, sales team and service team, all of which are united and positive. Base the now, and moving into the future, Yongan will make technology innovation constantly,and improve company's competitiveness base on the concept that" quality first, business integrity". All the people in Zhongshan yongan street lamp Co., Ltd. hopes that they can move toward the illustrious future together with the world.

Constructed in 1990,Zhongshan Yongan street lighting Co.,Ltd has went through 20 springs and autumns. With Yongan people's hard working, our company has already developed into a modern and large-scale enterprise,basing on outdoor illuminating and comprehensive development of polytype and industry, also, combining designing, production and marketing into a whole.

Yongan company believe that innovation is the company' s core competitiveness and the original motion to keep on developing.In the past decade, Yongan quickens the pace to update the products, integrate advanced technology elements,so that improve the market competitiveness of the products.Through sending designers to make research in developed countries and getting profound experts guiding, Yongan' s products have





ABOUT YONGAN

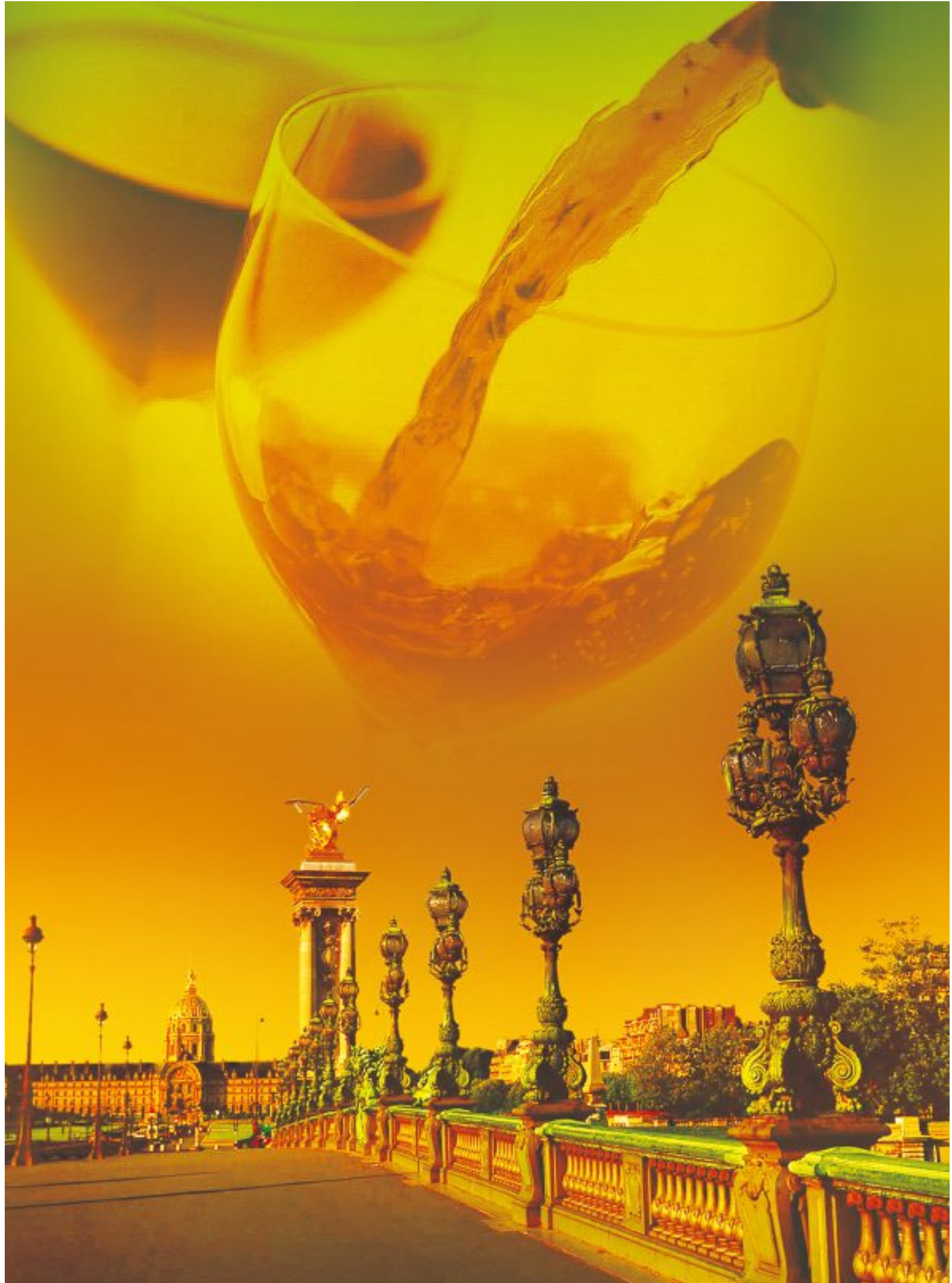
Creating fire-new urban features

Constructed in 1990, Zhongshan Yongan street lighting Co.,Ltd has went through 20 springs and autumns. With Yongan people's hard working, our company has already developed into a modern and large-scale enterprise, basing on outdoor illuminating and comprehensive development of polytype and industry, also, combining designing, production and marketing into a whole.

Yongan company believe that innovation is the company's core competitiveness and the original motion to keep on developing. In the past decade, Yongan quickens the pace to update the products, integrate advanced technology elements, so that improve the market competitiveness of the products. Through sending designers to make research in developed countries and getting profound experts guiding, Yongan's products have their own different style meeting the needs of people from different culture. The products from Yongan are unique model, good illuminating effect, and the quality always ranks first in the same industries. After communicating with clients and compile their feedback opinion, Yongan improves their products and manufacturing technique continually, and builds up its fine name-brand image of world-class illuminating. For these years, Yongan people enrich products' type ceaselessly, and have developed ploy type energy-saving lamps, such as, high brightness LED, electrode less lamp, solar street light, wind-solar street light, etc. All these products are integrated sophisticated technology elements, high quality and stable property, making themselves to be well adapted to the times.

Based on the belief that quality is the first competitiveness of company, Yongan takes strick control and management on the production process and method, brings in advanced management concept and production equipment, provides training for the employees, so that to ensure both the appearance and quality of Yongan's products are beyond compare. Based on the concept that "quality first, business integrity, Yongan's products win warm welcome from customers at all levels, including different government organs, real estate developer and park & garden companies, and all of the products are extensively used in municipal govern mends, real estate sector, park & garden landscape and leisure resort, creating a graceful environment for the social public, which confirms Yongan's slogan that: "good light, and good environment". Yongan's products exceed 8000 different kinds, with generous shape, diverse style and unique design. Due to their own distinguishing features, Yongan's products are not only warmly welcomed in domestic, but also sold around the world, developing to the business goal that: toward the world.

Yongan emphasize the management concept of "people-oriented" and the training of qualified personnel. The manager devotes to operate the company according to the international business standard, and attempt a modern enterprise intergraded with management team, scientific team, production team, sales team and service team, all of which are united and positive. Base the now, and moving into the future, Yongan will make technology innovation constantly, and improve company's competitiveness base on the concept that "quality first, business integrity". All the people in Zhongshan Yongan street lamp Co., Ltd. hopes that they can move toward the illustrious future together with the world.





CONTENTS



P139-P152
Garden Light Series



P153-P158
Wall Light Series



P187-P189
High pole Lighting Series



P190-P192
Combination Lighting Series



P1-P102, P193-P198
Aluminum Courtyard Lighting Series



P103-P138
Courtyard Lighting Series



P159-P164
LED Series

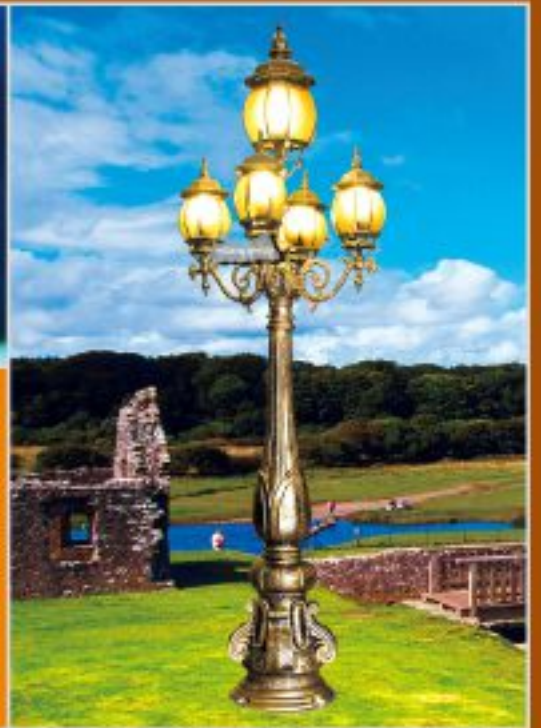


P165-P188
Street Lighting Series

 永安路灯 | YONGAN LIGHTING

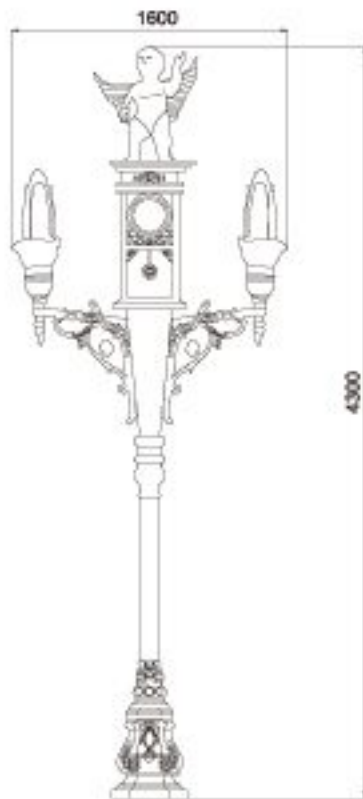
Aluminum Courtyard Lighting Series







yong'an



YAMP-G2012001

Materials and Features

- ◆ The whole body is made of sand-casting aluminum, and with an iron pole inside which is treated with hot-dipped galvanized;
- ◆ Lampshade: Glass or PMMA;
- ◆ Protection index: IP55;
- ◆ Recommended height: 4.3 M;
- ◆ Painting: Outdoor powder painting;
- ◆ Socket: E27;
- ◆ Lighting source: Energy saving or LED;
- ◆ Applicable places: Square, parks, garden, street;
- ◆ According to the requirements of the customers to provide tailor-made.

Aluminum Courtyard Lighting Series

Materials and Features

- ◆ The whole body is made of sand-casting aluminum, and with an iron pole inside which is treated with hot-dipped galvanized;
- ◆ Lampshade: Glass;
- ◆ Protection index: IP55;
- ◆ Recommended height: 1.7 M;
- ◆ Painting: Outdoor powder painting;
- ◆ Socket: E27;
- ◆ Lighting source: Energy saving or LED;
- ◆ Applicable places: Square, parks, garden, street;
- ◆ According to the requirements of the customers to provide tailor-made.



YAMP-G2012002

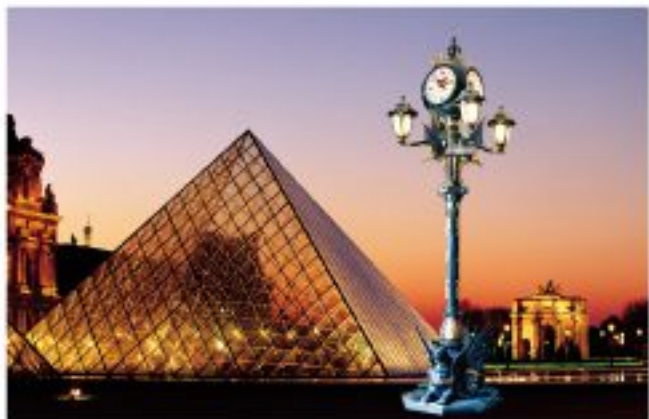


YAMP-G2012003





yongnian®



YAMP-G2012004

Materials and Features

- ◆ The whole body is made of sand-casting aluminum, and with an iron pole inside which is treated with hot-dipped galvanized;
- ◆ Lampshade: Glass or PMMA;
- ◆ Protection index: IP55;
- ◆ Recommended height: 4.6 M;
- ◆ Painting: Outdoor powder painting or fluorocarbon painting;
- ◆ Socket: E27;
- ◆ Lighting source: Energy saving, LED, or High pressure sodium lamp;
- ◆ Applicable places: Square, parks, garden, street;
- ◆ According to the requirements of the customers to provide tailor-made.

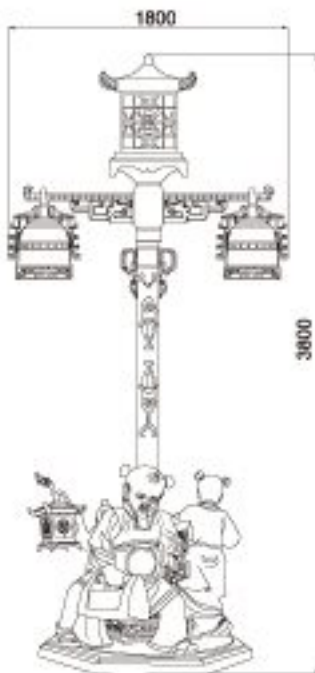
 永安路灯 | YONGAN LIGHTING

Aluminum Courtyard Lighting Series



Materials and Features

- ◆ The whole body is made of sand-casting aluminum, and with an iron pole inside which is treated with hot-dipped galvanized;
- ◆ Lampshade: PMMA;
- ◆ Protection index: IP55;
- ◆ Recommended height: 3.8 M;
- ◆ Painting: Outdoor powder painting or fluorocarbon painting;
- ◆ Socket: E27;
- ◆ Lighting source: Energy saving, LED;
- ◆ Applicable places: Square, parks, garden, street;
- ◆ According to the requirements of the customers to provide tailor-made.



YAMP-G2012005





YAMP-G2012006



Materials and Features

- ◆ The whole body is made of sand-casting aluminum, and with an iron pole inside which is treated with hot-dipped galvanized;
- ◆ Lampshade: Glass or PMMA;
- ◆ Protection index: IP55;
- ◆ Recommended height: 3.7 M;
- ◆ Painting: Outdoor powder painting or fluorocarbon painting;
- ◆ Socket: E27;
- ◆ Lighting source: Energy saving, LED;
- ◆ Applicable places: Square, parks, garden, street;
- ◆ According to the requirements of the customers to provide tailor-made.





Materials and Features

- ◆ The whole body is made of sand-casting aluminum, and with an iron pole inside which is treated with hot-dipped galvanized;
- ◆ Lampshade: Glass;
- ◆ Protection index: IP55;
- ◆ Recommended height: 3.3 M;
- ◆ Painting: Outdoor powder painting or fluorocarbon painting;
- ◆ Socket: E27;
- ◆ Lighting source: Energy saving, LED, or High pressure sodium lamp;
- ◆ Applicable places: Square, parks, garden, street;
- ◆ According to the requirements of the customers to provide tailor-made.



YAMP-G2012007





YAMP-G2012008



YAMP-G2012009

Materials and Features

- ◆ The whole body is made of sand-casting aluminum, and with an iron pole inside which is treated with hot-dipped galvanized;
- ◆ Lampshade: Glass or PMMA;
- ◆ Protection index: IP55;
- ◆ Recommended height: 3.85 M;
- ◆ Painting: Outdoor powder painting or fluorocarbon painting;
- ◆ Socket: E27;
- ◆ Lighting source: Energy saving, LED, or High pressure sodium lamp;
- ◆ Applicable places: Square, parks, garden, street;
- ◆ According to the requirements of the customers to provide tailor-made.



yongqian



YAMP-G2012010

永安路灯 | YONGAN LIGHTING Aluminum Courtyard Lighting Series



Materials and Features

- ◆ The whole body is made of sand-casting aluminum, and with an iron pole inside which is treated with hot-dipped galvanized;
- ◆ Lampshade: Glass;
- ◆ Protection index: IP55;
- ◆ Recommended height: 2.6 M;
- ◆ Painting: Outdoor powder painting or fluorocarbon painting;
- ◆ Socket: E27;
- ◆ Lighting source: Energy saving, LED;
- ◆ Applicable places: Square, parks, garden, street;
- ◆ According to the requirements of the customers to provide tailor-made.



YAMP-G2012011



YAMP-G2012012



永安路灯 | YONGAN LIGHTING

Aluminum Courtyard Lighting Series

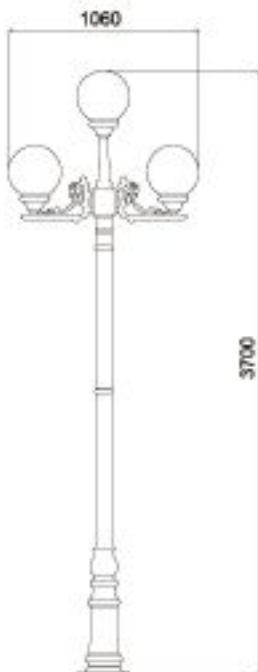


Materials and Features

- ◆ The whole body is made of sand-casting aluminum, and with an iron pole inside which is treated with hot-dipped galvanized;
- ◆ Lampshade: PMMA;
- ◆ Protection index: IP55;
- ◆ Recommended height: 4.8 M;
- ◆ Painting: Outdoor powder painting or fluorocarbon painting;
- ◆ Socket: E27;
- ◆ Lighting source: Energy saving, LED, or High pressure sodium lamp;
- ◆ Applicable places: Square, parks, garden, street;
- ◆ According to the requirements of the customers to provide tailor-made.



YAMP-G2012013



YAMP-G2012014

永安路灯 | YONGAN LIGHTING

Aluminum Courtyard Lighting Series

Materials and Features

- ◆ The whole body is made of sand-casting aluminum, and with an iron pole inside which is treated with hot-dipped galvanized;
- ◆ Lampshade: Glass or PMMA;
- ◆ Protection index: IP55;
- ◆ Recommended height: 3.7 M;
- ◆ Painting: Outdoor powder painting or fluorocarbon painting;
- ◆ Socket: E27;
- ◆ Lighting source: Energy saving, LED, or High pressure sodium lamp;
- ◆ Applicable places: Square, parks, garden, street;
- ◆ According to the requirements of the customers to provide tailor-made.

YONGAN LIGHTING | 永安路灯





YAMP-G2012015

Materials and Features

- ◆ The whole body is made of sand-casting aluminum, and with an iron pole inside which is treated with hot-dipped galvanized;
- ◆ Lampshade: Glass or PMMA;
- ◆ Protection index: IP55;
- ◆ Recommended height: 3.3M/3.8 M;
- ◆ Painting: Outdoor powder painting or fluorocarbon painting;
- ◆ Socket: E27;
- ◆ Lighting source: Energy saving, LED, or High pressure sodium lamp;
- ◆ Applicable places: Square, parks, garden, street;
- ◆ According to the requirements of the customers to provide tailor-made.



YAMP-G2012016

Materials and Features

- ◆ The whole body is made of sand-casting aluminum, and with an iron pole inside which is treated with hot-dipped galvanized;
- ◆ Lampshade: Glass or PMMA;
- ◆ Protection index: IP55;
- ◆ Recommended height: 4.8 M;
- ◆ Painting: Outdoor powder painting or fluorocarbon painting;
- ◆ Socket: E27;
- ◆ Lighting source: Energy saving, LED, or High pressure sodium lamp;
- ◆ Applicable places: Square, parks, garden, street;
- ◆ According to the requirements of the customers to provide tailor-made.





YAMP-G2012017



 **永安路灯** | YONGAN LIGHTING
Aluminum Courtyard Lighting Series





Materials and Features

- ◆ The whole body is made of sand-casting aluminum, and with an iron pole inside which is treated with hot-dipped galvanized;
- ◆ Lampshade: Glass or PMMA;
- ◆ Protection index: IP55;
- ◆ Recommended height: 5.6 M;
- ◆ Painting: Outdoor powder painting or fluorocarbon painting;
- ◆ Socket: E27;
- ◆ Lighting source: Energy saving, LED, or High pressure sodium lamp;
- ◆ Applicable places: Square, parks, garden, street;
- ◆ According to the requirements of the customers to provide tailor-made.



YAMP-G2012018

 永安路燈 | YONGAN LIGHTING

Aluminum Courtyard Lighting Series



Materials and Features

- ◆ The whole body is made of sand-casting aluminum, and with an iron pole inside which is treated with hot-dipped galvanized;
- ◆ Lampshade: Glass or PMMA;
- ◆ Protection index: IP55;
- ◆ Recommended height: 4.8 M;
- ◆ Painting: Outdoor powder painting or fluorocarbon painting;
- ◆ Socket: E27;
- ◆ Lighting source: Energy saving, LED, or High pressure sodium lamp;
- ◆ Applicable places: Square, parks, garden, street;
- ◆ According to the requirements of the customers to provide tailor-made.



YAMP-G2012019



永安路灯 | YONGAN LIGHTING

Aluminum Courtyard Lighting Series

Materials and Features

- ◆ The whole body is made of sand-casting aluminum, and with an iron pole inside which is treated with hot-dipped galvanized;
- ◆ Lampshade: Glass or PMMA;
- ◆ Protection index: IP55;
- ◆ Recommended height: 3.9 M;
- ◆ Painting: Outdoor powder painting or fluorocarbon painting;
- ◆ Socket: E27;
- ◆ Lighting source: Energy saving, LED, or High pressure sodium lamp;
- ◆ Applicable places: Square, parks, garden, street;
- ◆ According to the requirements of the customers to provide tailor-made.





YAMP-G2012020

Aluminum Courtyard Lighting Series



YAMP-G2012021

Materials and Features

- ◆ The base and the lantern is made of sand-casting aluminum, and the pole is iron which is treated with hot-dipped galvanized;
- ◆ Lampshade: Glass;
- ◆ Protection index: IP55;
- ◆ Recommended height: 5.5 M;
- ◆ Painting: Outdoor powder painting or fluorocarbon painting;
- ◆ Socket: E27;
- ◆ Lighting source: Energy saving, LED, or High pressure sodium lamp;
- ◆ Applicable places: Square, parks, garden, street;
- ◆ According to the requirements of the customers to provide tailor-made.



Materials and Features

- ◆ The whole body is made of sand-casting aluminum, and with an iron pole inside which is treated with hot-dipped galvanized;
- ◆ Lampshade: Glass;
- ◆ Protection index: IP55;
- ◆ Recommended height: 5.2 M;
- ◆ Painting: Outdoor powder painting or fluorocarbon painting;
- ◆ Socket: E27;
- ◆ Lighting source: Energy saving, LED, or High pressure sodium lamp;
- ◆ Applicable places: Square, parks, garden, street;
- ◆ According to the requirements of the customers to provide tailor-made.



YAMP-G2012022

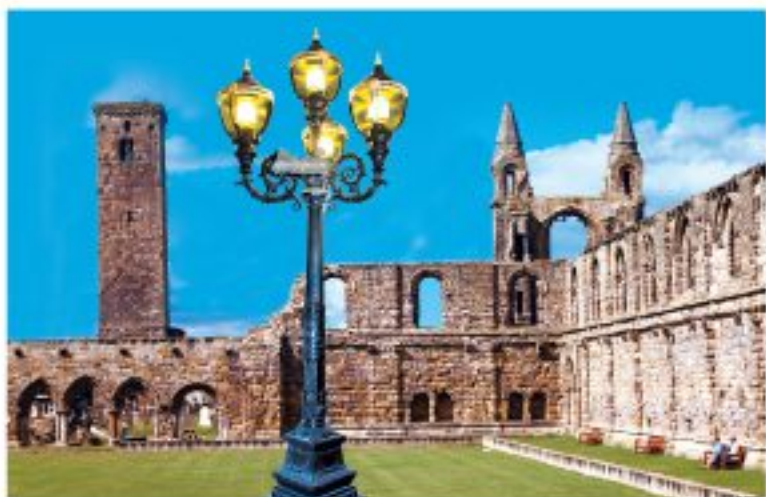
Aluminum Courtyard Lighting Series

Materials and Features

- ◆ The whole body is made of sand-casting aluminum, and with an iron pole inside which is treated with hot-dipped galvanized;
- ◆ Lampshade: PMMA;
- ◆ Protection index: IP55;
- ◆ Recommended height: 3.35 M;
- ◆ Painting: Outdoor powder painting or fluorocarbon painting;
- ◆ Socket: E27;
- ◆ Lighting source: Energy saving, LED;
- ◆ Applicable places: Square, parks, garden, street;
- ◆ According to the requirements of the customers to provide tailor-made.



YAMP-G2012023



Materials and Features

- ◆ The whole body is made of sand-casting aluminum, and with an iron pole inside which is treated with hot-dipped galvanized;
- ◆ Lampshade: Glass;
- ◆ Protection index: IP55;
- ◆ Recommended height: 3.6 M;
- ◆ Painting: Outdoor powder painting or fluorocarbon painting;
- ◆ Socket: E27;
- ◆ Lighting source: Energy saving, LED, or High pressure sodium lamp;
- ◆ Applicable places: Square, parks, garden, street;
- ◆ According to the requirements of the customers to provide tailor-made.



YAMP-G2012024





Materials and Features

- ◆The whole body is made of sand-casting aluminum, and with an iron pole inside which is treated with hot-dipped galvanized;
- ◆Lampshade: Glass;
- ◆Protection index: IP55;
- ◆Recommended height: 3.6 M;
- ◆Painting: Outdoor powder painting or fluorocarbon painting;
- ◆Socket: E27;
- ◆Lighting source: Energy saving, LED, or High pressure sodium lamp;
- ◆Applicable places: Square, parks, garden, street;
- ◆According to the requirements of the customers to provide tailor-made.



YAMP-G2012025



YAMP-G2012026

Materials and Features

- ◆ The whole body is made of sand-casting aluminum, and with an iron pole inside which is treated with hot-dipped galvanized;
- ◆ Lampshade: Glass or PMMA;
- ◆ Protection index: IP55;
- ◆ Recommended height: 3.65 M;
- ◆ Painting: Outdoor powder painting or fluorocarbon painting;
- ◆ Socket: E27;
- ◆ Lighting source: Energy saving, LED, or High pressure sodium lamp;
- ◆ Applicable places: Square, parks, garden, street;
- ◆ According to the requirements of the customers to provide tailor-made.



Materials and Features

- ◆ The whole body is made of sand-casting aluminum, and with an iron pole inside which is treated with hot-dipped galvanized;
- ◆ Lampshade: Glass or PMMA;
- ◆ Protection index: IP55;
- ◆ Recommended height: 3 M;
- ◆ Painting: Outdoor powder painting or fluorocarbon painting;
- ◆ Socket: E27;
- ◆ Lighting source: Energy saving, LED, or High pressure sodium lamp;
- ◆ Applicable places: Square, parks, garden, street;
- ◆ According to the requirements of the customers to provide tailor-made.



YAMP-G2012027

Materials and Features

- ◆ The whole body is made of sand-casting aluminum, and with an iron pole inside which is treated with hot-dipped galvanized;
- ◆ Lampshade: Glass;
- ◆ Protection index: IP55;
- ◆ Recommended height: 2.9 M;
- ◆ Painting: Outdoor powder painting or fluorocarbon painting;
- ◆ Socket: E27;
- ◆ Lighting source: Energy saving, LED, or High pressure sodium lamp;
- ◆ Applicable places: Square, parks, garden, street;
- ◆ According to the requirements of the customers to provide tailor-made.





YAMP-G2012028

Aluminum Courtyard Lighting Series

Materials and Features

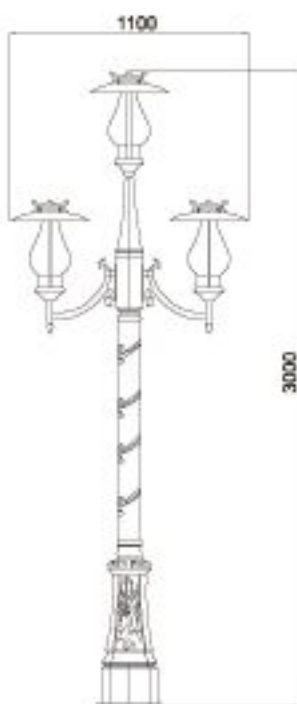
- ◆The whole body is made of sand-casting aluminum, and with an iron pole inside which is treated with hot-dipped galvanized;
- ◆Lampshade: Glass;
- ◆Protection index: IP55;
- ◆Recommended height: 3 M;
- ◆Painting: Outdoor powder painting or fluorocarbon painting;
- ◆Socket: E27;
- ◆Lighting source: Energy saving, LED, or High pressure sodium lamp;
- ◆Applicable places: Square, parks, garden, street;
- ◆According to the requirements of the customers to provide tailor-made.



YAMP-G2012029



YAMP-G2012030



 永安路灯 |
YONGAN LIGHTING



YAMP-G2012031



Materials and Features

- ◆ The whole body is made of sand-casting aluminum, and with an iron pole inside which is treated with hot-dipped galvanized;
- ◆ Lampshade: Glass or PMMA;
- ◆ Protection index: IP55;
- ◆ Recommended height: 3.9 M;
- ◆ Painting: Outdoor powder painting or fluorocarbon painting;
- ◆ Socket: E27;
- ◆ Lighting source: Energy saving, LED, or High pressure sodium lamp;
- ◆ Applicable places: Square, parks, garden, street;
- ◆ According to the requirements of the customers to provide tailor-made.



YAMP-G2012032

Materials and Features

- ◆ The whole body is made of sand-casting aluminum, and with an iron pole inside which is treated with hot-dipped galvanized;
- ◆ Lampshade: Glass;
- ◆ Protection index: IP55;
- ◆ Recommended height: 3.2 M;
- ◆ Painting: Outdoor powder painting or fluorocarbon painting;
- ◆ Socket: E27;
- ◆ Lighting source: Energy saving, LED, or High pressure sodium lamp;
- ◆ Applicable places: Square, parks, garden, street;
- ◆ According to the requirements of the customers to provide tailor-made.

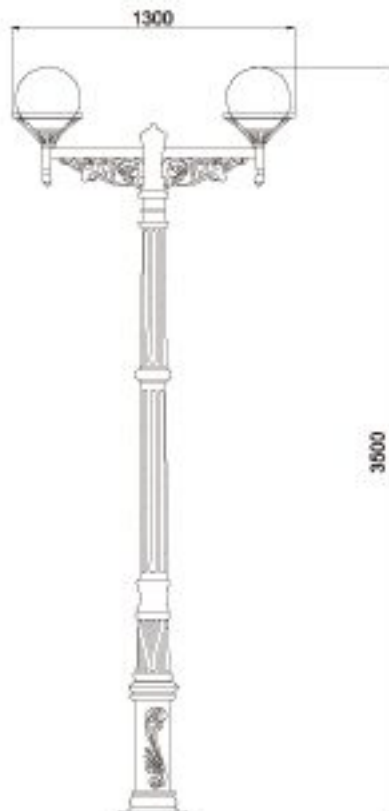


YAMP-G2012033



Materials and Features

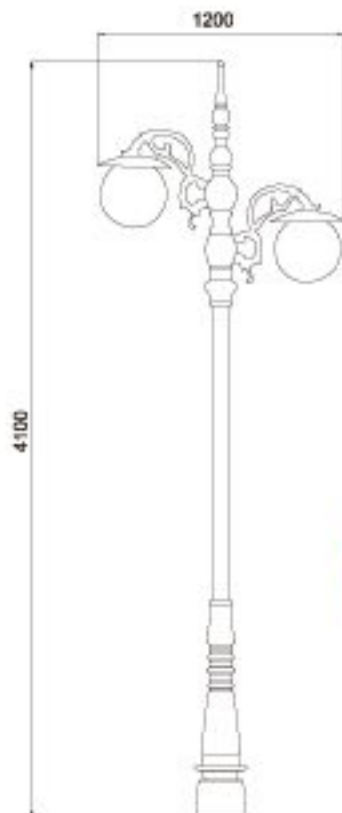
- ◆ The whole body is made of sand-casting aluminum, and with an iron pole inside which is treated with hot-dipped galvanized;
- ◆ Lampshade: Glass or PMMA;
- ◆ Protection index: IP55;
- ◆ Recommended height: 3.5 M;
- ◆ Painting: Outdoor powder painting or fluorocarbon painting;
- ◆ Socket: E27;
- ◆ Lighting source: Energy saving, LED, or High pressure sodium lamp;
- ◆ Applicable places: Square, parks, garden, street;
- ◆ According to the requirements of the customers to provide tailor-made.



YAMP-G2012034



YAMP-G2012035



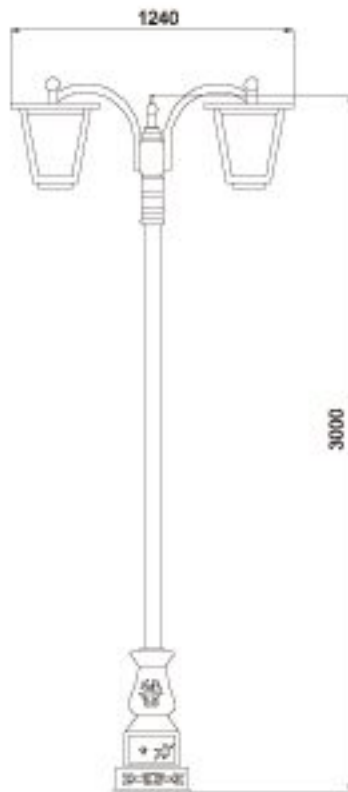
YAMP-G2012036

永安路灯 | YONGAN LIGHTING

Aluminum Courtyard Lighting Series

Materials and Features

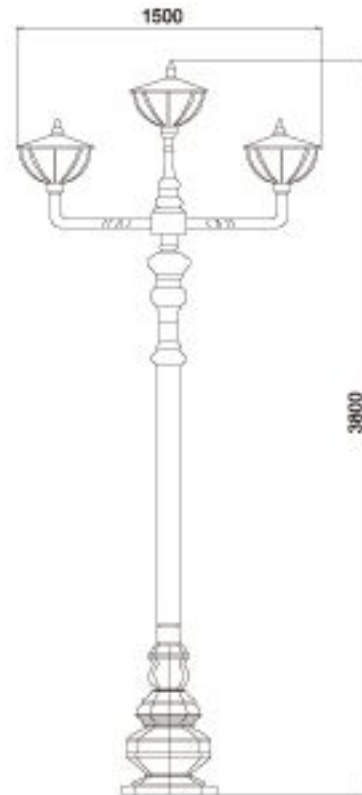
- ◆ The whole body is made of sand-casting aluminum, and with an iron pole inside which is treated with hot-dipped galvanized;
- ◆ Lampshade: Glass or PMMA;
- ◆ Protection index: IP55;
- ◆ Recommended height: 4.1 M/3.5 M;
- ◆ Painting: Outdoor powder painting or fluorocarbon painting;
- ◆ Socket: E27;
- ◆ Lighting source: Energy saving, LED, or High pressure sodium lamp;
- ◆ Applicable places: Square, parks, garden, street;
- ◆ According to the requirements of the customers to provide tailor-made.



Materials and Features

- ◆ The whole body is made of sand-casting aluminum, and with an iron pole inside which is treated with hot-dipped galvanized;
- ◆ Lampshade: Glass or PMMA;
- ◆ Protection index: IP55;
- ◆ Recommended height: 3 M;
- ◆ Painting: Outdoor powder painting or fluorocarbon painting;
- ◆ Socket: E27;
- ◆ Lighting source: Energy saving, LED, or High pressure sodium lamp;
- ◆ Applicable places: Square, parks, garden, street;
- ◆ According to the requirements of the customers to provide tailor-made.

YAMP-G2012037



Materials and Features

- ◆ The whole body is made of sand-casting aluminum, and with an iron pole inside which is treated with hot-dipped galvanized;
- ◆ Lampshade: Glass or PMMA;
- ◆ Protection Index: IP55;
- ◆ Recommended height: 3.8 M;
- ◆ Painting: Outdoor powder painting or fluorocarbon painting;
- ◆ Socket: E27;
- ◆ Lighting source: Energy saving, LED, or High pressure sodium lamp;
- ◆ Applicable places: Square, parks, garden, street;
- ◆ According to the requirements of the customers to provide tailor-made.

YAMP-G2012038