





уондунан





YAMP-G2013015



**Material and Features**

- ◆ Body: Casting Aluminum Body.
- ◆ Reflector: High purity anodized aluminum.
- ◆ Optical shade: PC High purity transparent, high transmission of light.
- ◆ Top-lift Cover, easy repair and maintenance.
- ◆ Applied to realize the suspend and top installation.

**Technical Parameters**

- ◆ Optical Group Protection grade: IP67.
- ◆ Shock Protecting measures falls into I - II category.
- ◆ Powder Source: 220V, 50Hz/60Hz.
- ◆ Suitable Lamp: 70W-150W High Pressure Sodium/Metal Halide Bulb.
- ◆ Lamp holder: E27/E40/G12.
- ◆ Painting: Powder painting.

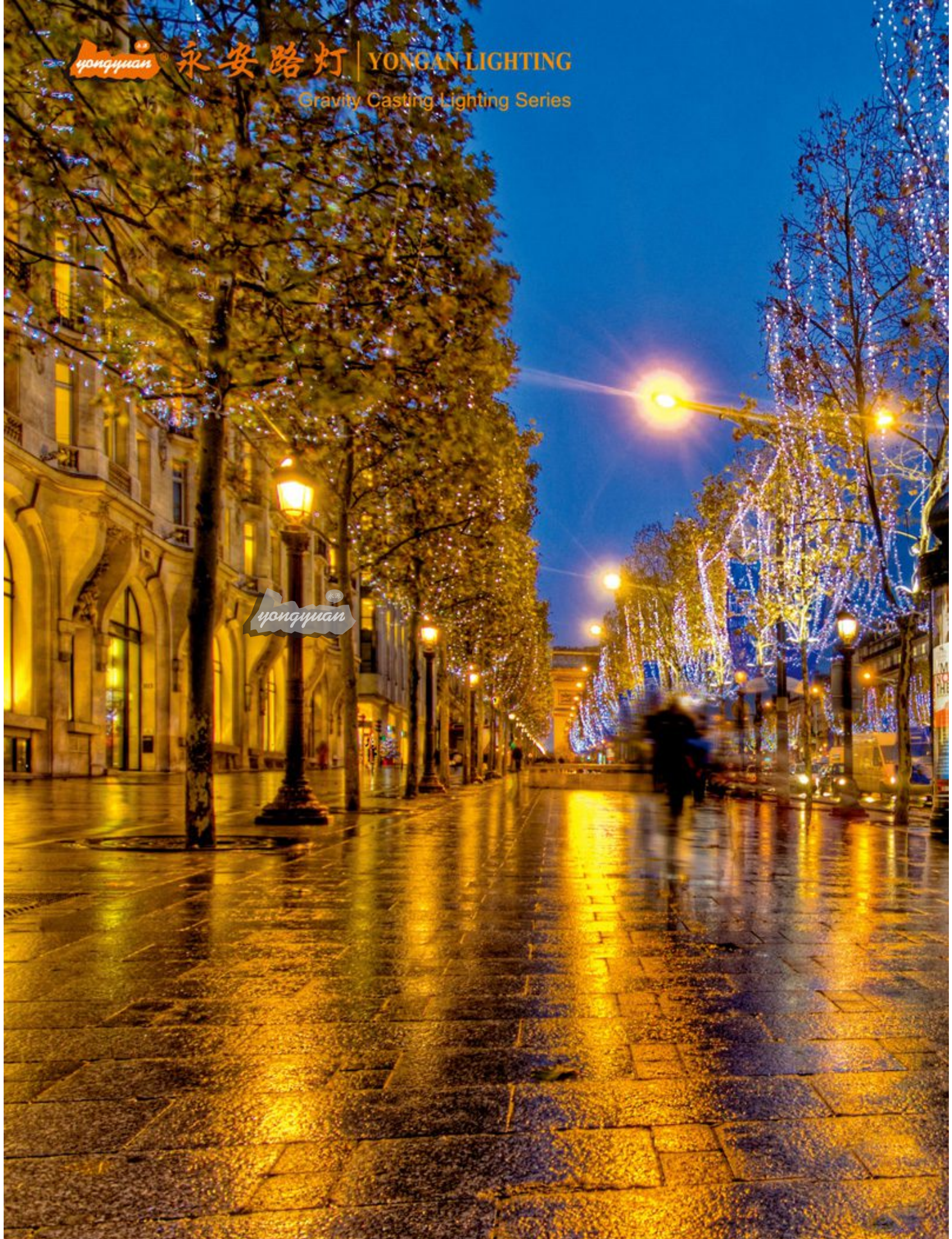
**材料和功能**

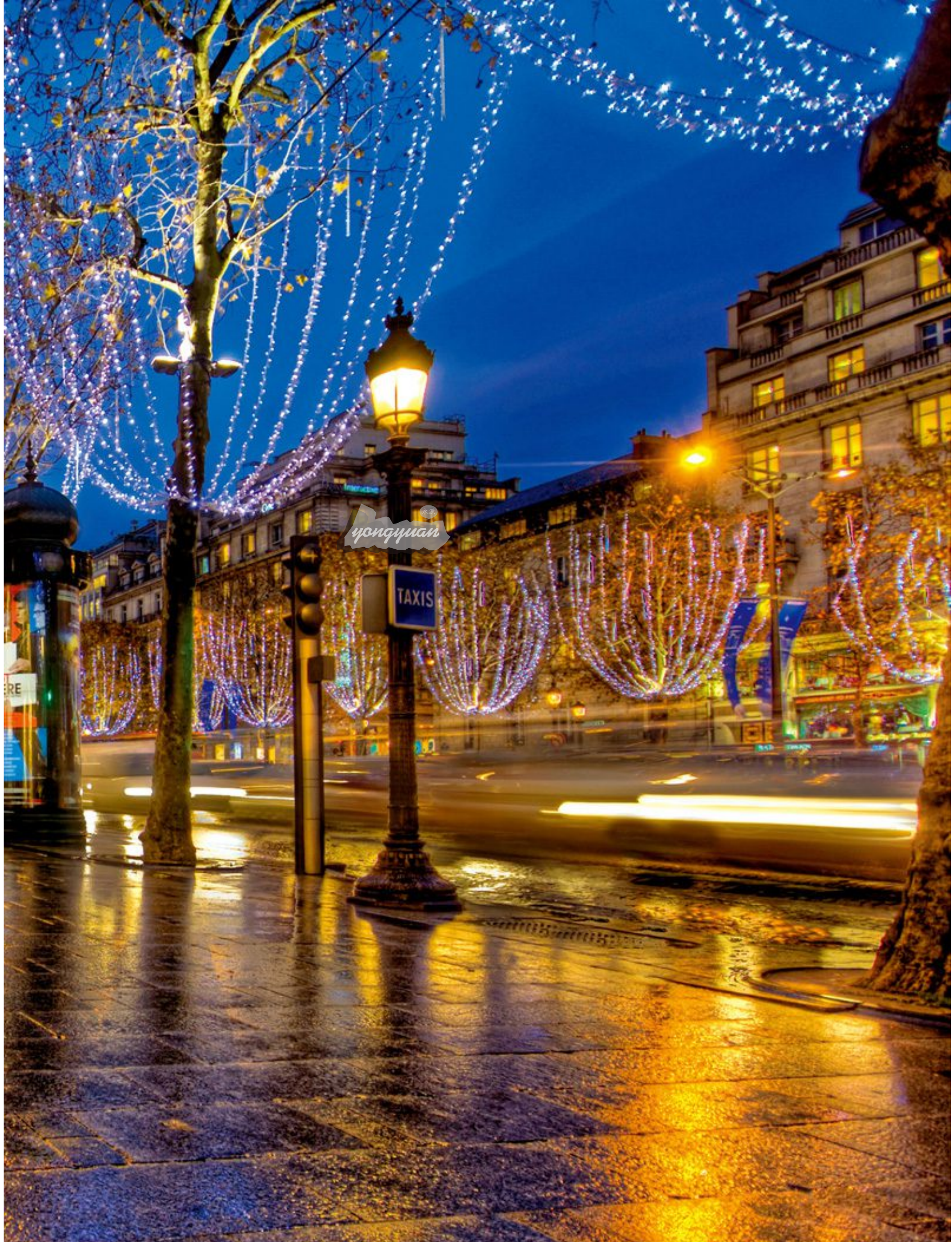
- ◆ 灯体：高强度铸造铝制品。
- ◆ 反光罩：高纯度铝阳极氧化。
- ◆ 灯罩：高纯度透明PC 材质。
- ◆ 顶盖合页安装，便于维修和保养
- ◆ 根据需要可以对灯具进行吊或顶部安装

**技术参数**

- ◆ 防护等级：IP67.
- ◆ 电气等级：I 类型/II 类型
- ◆ 电源：220V, 50Hz/60Hz
- ◆ 适用光源：70W-150W高压钠灯/金属卤化物光源
- ◆ 灯头：E27/E40/G12
- ◆ 颜色：优质专用户外型

YONGAN LIGHTING  
Gravity Casting Lighting Series

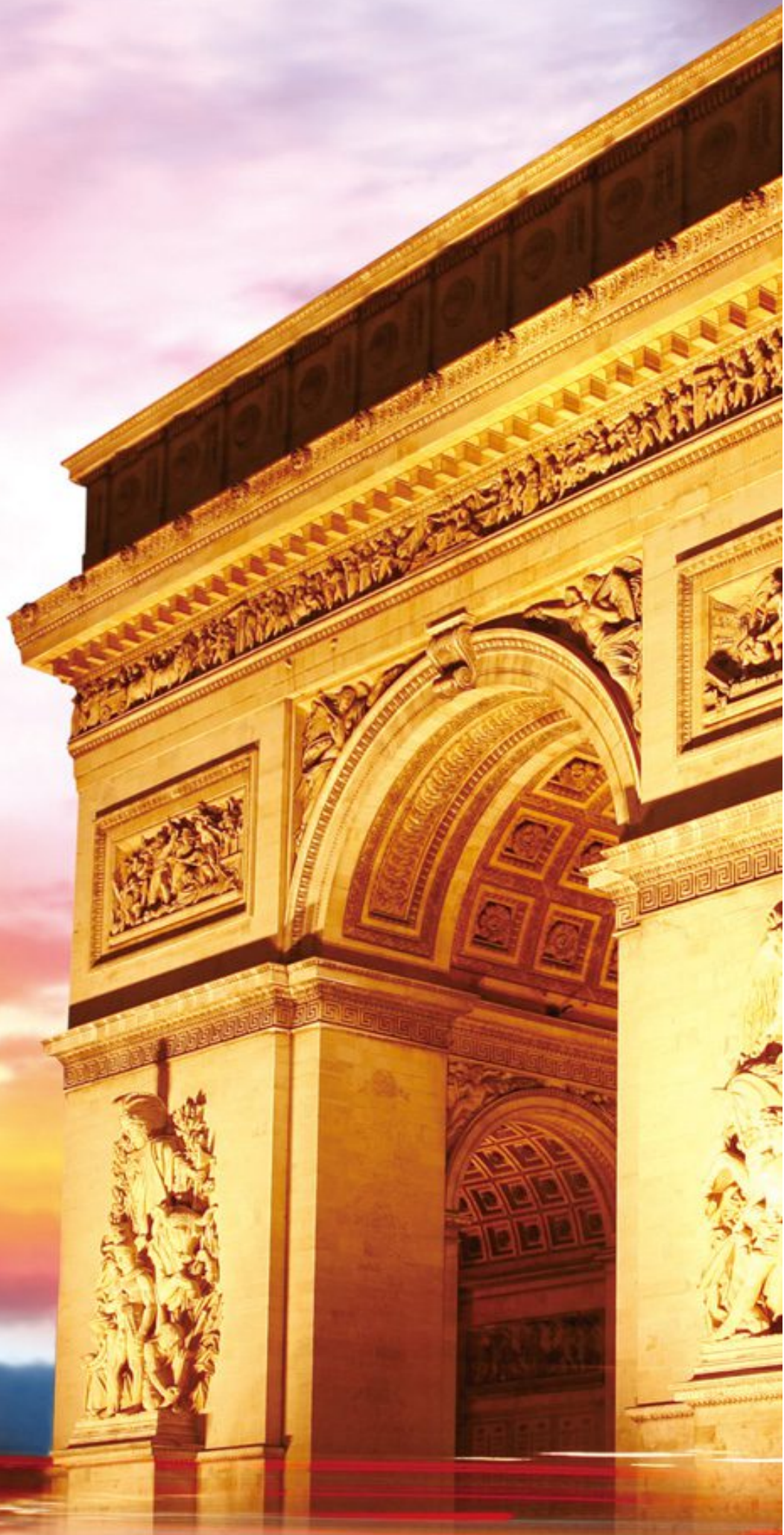


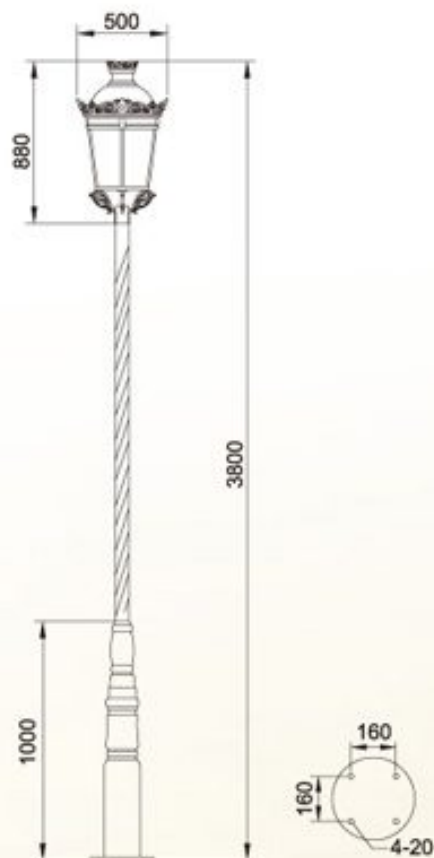


уонгүман



УОНГУМАН





**Material and Features**

- ◆ Pole: Hot dip galvanized conical posttop tube.
- ◆ Available in varied sizes and specification.
- ◆ Reflector: High purity anodized aluminum.
- ◆ Optical shade: PC High purity transparent, high transmission of light.
- ◆ Top-lift Cover, easy repair and maintenance.
- ◆ Optical group protection grade: IP67
- ◆ Powder Source: 220V, 50Hz/60Hz.
- ◆ Suitable Lamp: 70W-150W High Pressure Sodium/Metal Halide Bulb.
- ◆ Lamp holder: E27/E40/G12.
- ◆ Painting: Powder painting.
- ◆ Uses: Suitable for gardens, hotels, roads, resorts, clubs and commercial premises

**材质及技术参数**

- ◆ 灯杆:采用锥形热浸锌管
- ◆ 备有各种尺寸和规格
- ◆ 反光罩: 高纯度铝阳极氧化。
- ◆ 灯罩: 高纯度透明PC 材质。
- ◆ 顶盖合页安装, 便于维修和保养
- ◆ 防护等级: IP67.
- ◆ 电源: 220V, 50Hz/60Hz
- ◆ 适用光源: 70W-150W高压钠灯/金属卤化物光源
- ◆ 灯头: E27/E40/G12
- ◆ 颜色: 优质专用户外塑
- ◆ 用途: 适合于园林、酒店、道路, 度假村、会所及商业楼宇

YAMP-G2013016

# YONGAN LIGHTING

## Gravity Casting Lighting Series

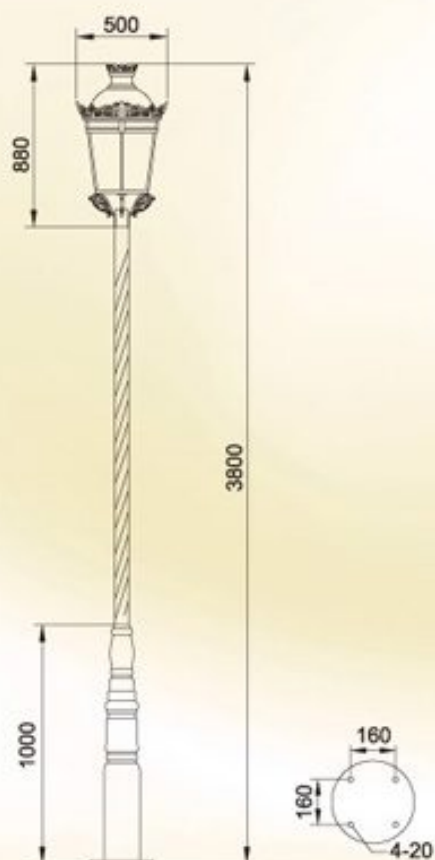
### YAMP-G2013017

#### Material and Features

- ◆ Pole: Hot dip galvanized conical posttop tube.
- ◆ Available in varied sizes and specification.
- ◆ Reflector: High purity anodized aluminum.
- ◆ Optical shade: PC High purity transparent, high transmission of light.
- ◆ Top-lift Cover, easy repair and maintenance.
- ◆ Optical group protection grade: IP67
- ◆ Powder Source: 220V, 50Hz/60Hz.
- ◆ Suitable Lamp: 70W-150W High Pressure Sodium/ Metal Halide Bulb.
- ◆ Lamp holder: E27/E40/G12.
- ◆ Painting: Powder painting.
- ◆ Uses: Suitable for gardens, hotels, roads, resorts, clubs and commercial premises

#### 材质及技术参数

- ◆ 灯杆:采用锥形热浸锌管
- ◆ 备有各种尺寸和规格
- ◆ 反光罩:高纯度铝阳极氧化。
- ◆ 灯罩:高纯度透明PC材质。
- ◆ 顶盖合页安装,便于维修和保养
- ◆ 防护等级:IP67.
- ◆ 电源:220V,50Hz/60Hz
- ◆ 适用光源:70W-150W高压钠灯/金属卤化物光源
- ◆ 灯头:E27/E40/G12
- ◆ 颜色:优质专用户外塑
- ◆ 用途:适合于园林、酒店、道路、度假村、会所及商业楼宇





YAMP-G2013017



YAMP-G2013018



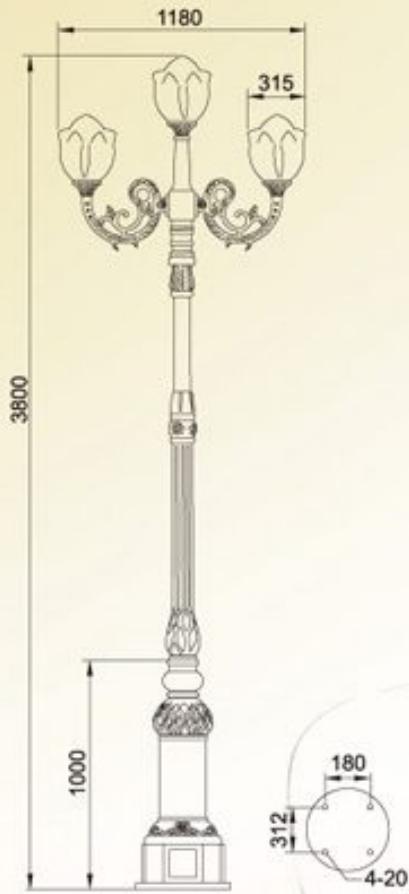
**Material and Features**

- ◆ Body: Made with High grade cast aluminum.
- ◆ Inside: Hot dip galvanized iron pole.
- ◆ Optical shade: PMMA / glass / PC
- ◆ Powder Source: 220V, 50Hz/60Hz.
- ◆ Suitable Lamp: Energy saving / LED/ 70W High Pressure Sodium/Metal Halide Bulb.
- ◆ Lamp holder: E27
- ◆ Painting: Powder painting.
- ◆ Uses: suitable for gardens, square, road, hotels, resorts, clubs and bridge.

**材质及特点**

- ◆ 灯体：采用高级铸造铝。
- ◆ 内部：采用内外热镀锌钢管辅助受力。
- ◆ 灯罩：亚克力材质，玻璃或者PC材质
- ◆ 电源：220V，50Hz/60Hz
- ◆ 适用光源：节能灯光源，LED灯泡，70W高压钠灯或者金属卤化物灯泡
- ◆ 灯头：E27
- ◆ 颜色：优质专用户外塑，根据需求可做不同的颜色。
- ◆ 用途：适合于园林、广场、道路、酒店、度假村、会所及桥梁。

YAMP-G2013018



**Material and Features**

- ◆ Body: Made with High grade cast aluminum.
- ◆ Inside: Hot dip galvanized iron pole.
- ◆ Optical shade: PMMA / glass / PC
- ◆ Powder Source: 220V, 50Hz/60Hz.
- ◆ Suitable Lamp: Energy saving / LED/ 70W High Pressure Sodium/ Metal Halide Bulb.
- ◆ Lamp holder: E27
- ◆ Painting: Powder painting.
- ◆ Uses: suitable for gardens, square, road, hotels, resorts, clubs and bridge.

**材质及特点**

- ◆ 灯体：采用高级铸造铝。
- ◆ 内部：采用内外热镀锌钢管辅助受力。
- ◆ 灯罩：亚克力材质，玻璃或者PC材质
- ◆ 电源：220V，50Hz/60Hz
- ◆ 适用光源：节能灯光源，LED灯泡，70W高压钠灯或者金属卤化物灯泡
- ◆ 灯头：E27
- ◆ 颜色：优质专用户外塑，根据需求可做不同的颜色。
- ◆ 用途：适合于园林、广场、道路、酒店、度假村、会所及桥梁。



YAMP-G2013019



YAMP-G2013020



**Material and Features**

- ◆ Body: Made with High grade cast aluminum.
- ◆ Inside: Hot dip galvanized iron pole.
- ◆ Optical shade: PMMA / glass / PC
- ◆ Powder Source: 220V, 50Hz/60Hz.
- ◆ Suitable Lamp: Energy saving / LED/ 70W High Pressure Sodium/Metal Halide Bulb.
- ◆ Lamp holder: E27
- ◆ Painting: Powder painting.
- ◆ Uses: suitable for gardens, square, road, hotels, resorts, clubs and bridge.

**材质及特点**

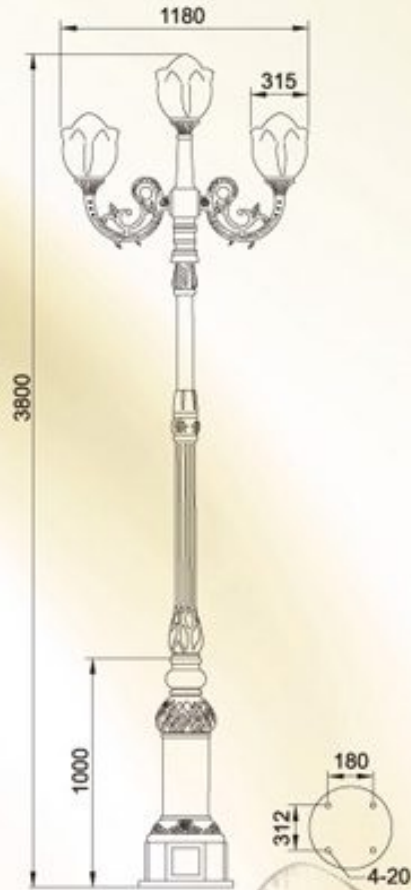
- ◆ 灯体：采用高级铸造铝。
- ◆ 内部：采用内外热镀锌钢管辅助受力。
- ◆ 灯罩：亚克力材质，玻璃或者PC材质
- ◆ 电源：220V，50Hz/60Hz
- ◆ 适用光源：节能灯光源，LED灯泡，70W高压钠灯或者金属卤化物灯泡
- ◆ 灯头：E27
- ◆ 颜色：优质专用户外塑，根据需求可做不同的颜色。
- ◆ 用途：适合于园林、广场、道路、酒店、度假村、会所及桥梁。

YAMP-G2013020



YAMP-G2013021





**YAMP-G2013021**

**Material and Features**

- ◆ Body: Made with High grade cast aluminum.
- ◆ Inside: Hot dip galvanized iron pole.
- ◆ Optical shade: PMMA / glass / PC
- ◆ Powder Source: 220V, 50Hz/60Hz.
- ◆ Suitable Lamp: Energy saving / LED/ 70W High Pressure Sodium/Metal Halide Bulb.
- ◆ Lamp holder: E27
- ◆ Painting: Powder painting.
- ◆ Uses: suitable for gardens, square, road, hotels, resorts, clubs and bridge.

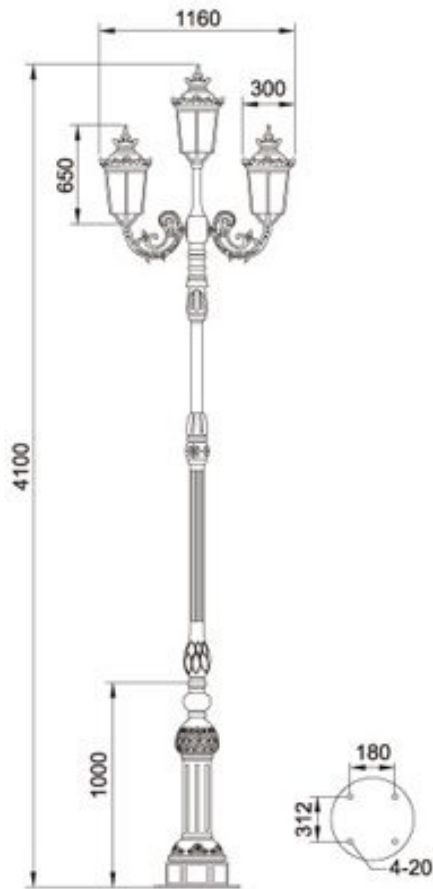
**材质及特点**

- ◆ 灯体：采用高级铸造铝。
- ◆ 内部：采用内外热镀锌钢管辅助受力。
- ◆ 灯罩：亚克力材质，玻璃或者PC材质
- ◆ 电源：220V，50Hz/60Hz
- ◆ 适用光源：节能灯光源，LED灯泡，70W高压钠灯或者金属卤化物灯泡
- ◆ 灯头：E27
- ◆ 颜色：优质专用户外塑，根据需求可做不同的颜色。
- ◆ 用途：适合于园林、广场、道路、酒店、度假村、会所及桥梁。



永源  
yongyuan

# YONGGAN LIGHTING



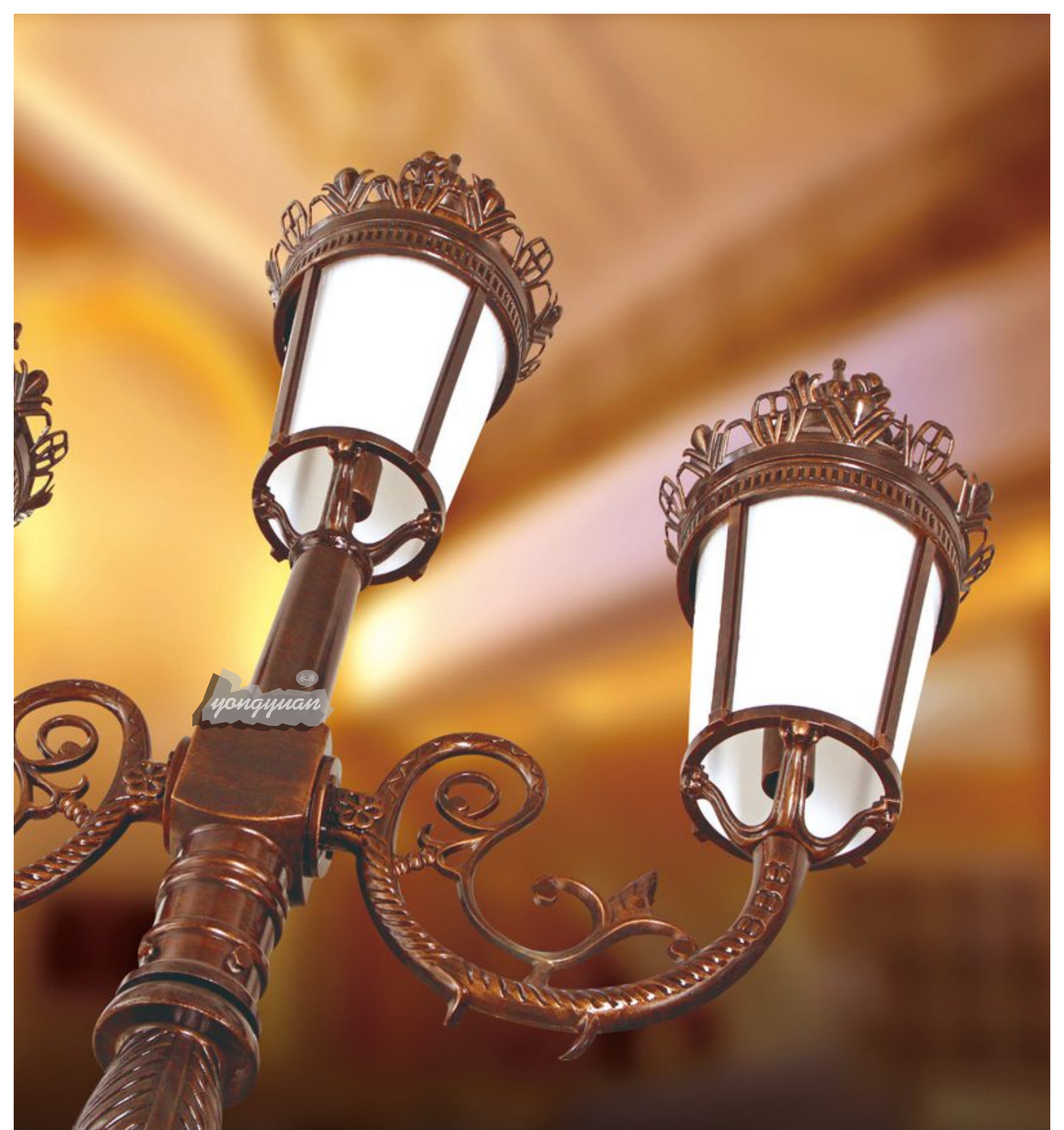
YAMP-G2013022

**Material and Features**

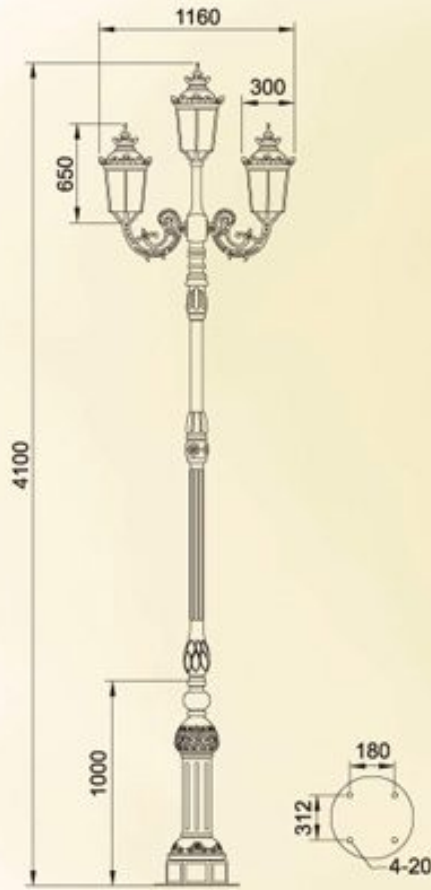
- ◆ Body: Made with High grade cast aluminum.
- ◆ Inside: Hot dip galvanized iron pole.
- ◆ Optical shade: PMMA/glass
- ◆ Powder Source: 220V, 50Hz/60Hz.
- ◆ Suitable Lamp: Energy saving / LED.
- ◆ Lamp holder: E27
- ◆ Painting: Powder painting.
- ◆ Uses: suitable for gardens, square, road, hotels, resorts, clubs and bridge.

**材质及特点**

- ◆ 灯体：采用高级铸造铝。
- ◆ 内部：采用内外热镀锌钢管辅助受力。
- ◆ 灯罩：亚克力材质或者玻璃材质
- ◆ 电源：220V，50Hz/60Hz
- ◆ 适用光源：节能灯光源 或者LED灯泡
- ◆ 灯头：E27
- ◆ 颜色：优质专用户外塑，根据需求可做不同的颜色。
- ◆ 用途：适合于园林、广场、道路、酒店、度假村、会所及桥梁。



YAMP-G2013023



**Material and Features**

- ◆ Body: Made with High grade cast aluminum.
- ◆ Inside: Hot dip galvanized iron pole.
- ◆ Optical shade: PMMA/glass
- ◆ Powder Source: 220V, 50Hz/60Hz.
- ◆ Suitable Lamp: Energy saving / LED.
- ◆ Lamp holder: E27
- ◆ Painting: Powder painting.
- ◆ Uses: suitable for gardens, square, road, hotels, resorts, clubs and bridge.

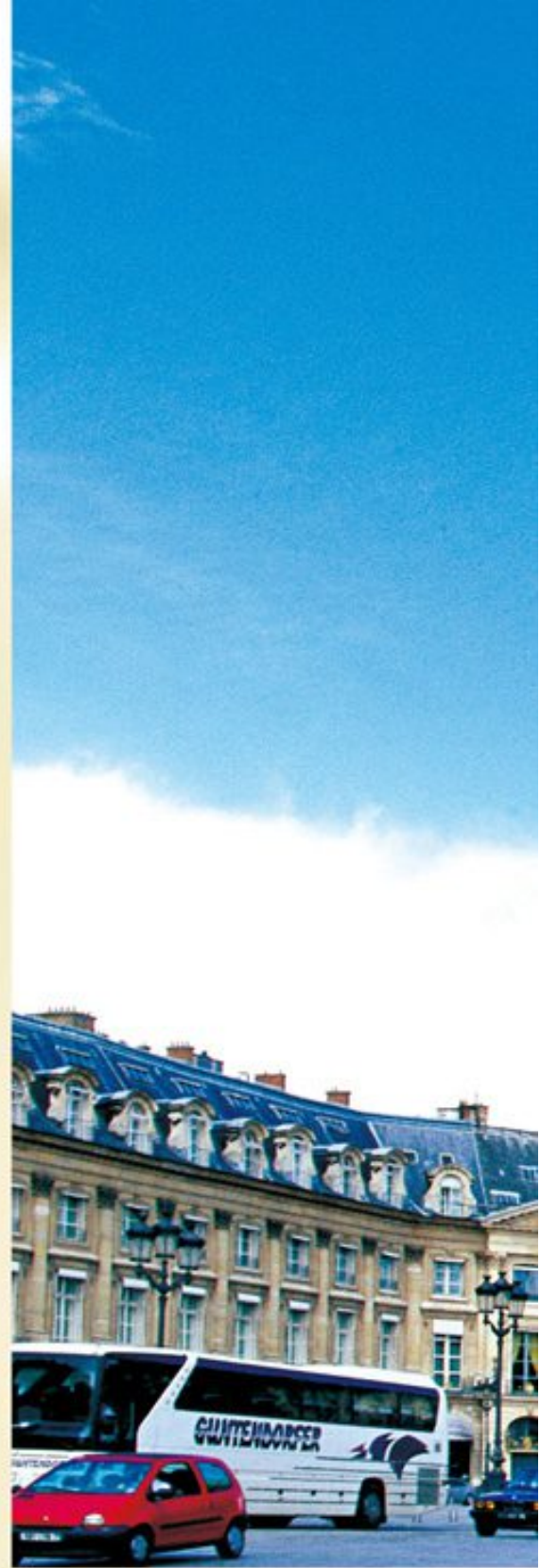
**材质及特点**

- ◆ 灯体：采用高级铸造铝。
- ◆ 内部：采用内外热镀锌钢管辅助受力。
- ◆ 灯罩：亚克力材质或者玻璃材质
- ◆ 电源：220V，50Hz/60Hz
- ◆ 适用光源：节能灯光源 或者LED灯泡
- ◆ 灯头：E27
- ◆ 颜色：优质专用户外塑，根据需求可做不同的颜色。
- ◆ 用途：适合于园林、广场、道路、酒店、度假村、会所及桥梁。

YAMP-G2013023



YAMP-G2013024





**YAMP-G2013024**

**Material and Features**

- ◆ Body: Made with High grade cast aluminum.
- ◆ Inside: Hot dip galvanized iron pole.
- ◆ Optical shade: Glass
- ◆ Powder Source: 220V, 50Hz/60Hz.
- ◆ Suitable Lamp: Energy saving / LED/ 70W High Pressure Sodium/Metal Halide Bulb.
- ◆ Lamp holder: E27
- ◆ Painting: Powder painting.
- ◆ Uses: suitable for gardens, square, road, hotels, resorts, clubs and bridge.

**材质及特点**

- ◆ 灯体：采用高级铸造铝。
- ◆ 内部：采用内外热镀锌钢管辅助受力。
- ◆ 灯罩：玻璃材质
- ◆ 电源：220V，50Hz/60Hz
- ◆ 适用光源：节能灯光源，LED灯泡，70W高压钠灯或者金属卤化物灯泡
- ◆ 灯头：E27
- ◆ 颜色：优质专用户外塑，根据需求可做不同的颜色。
- ◆ 用途：适合于园林、广场、道路、酒店、度假村、会所及桥梁。

# YONGAN LIGHTING



永源

yonguan



#### Material and Features

- ◆ Body: Made with High grade cast aluminum.
- ◆ Inside: Hot dip galvanized iron pole.
- ◆ Optical shade: Glass
- ◆ Powder Source: 220V, 50Hz/60Hz.
- ◆ Suitable Lamp: Energy saving / LED/ 70W High Pressure Sodium/ Metal Halide Bulb.
- ◆ Lamp holder: E27
- ◆ Painting: Powder painting.
- ◆ Uses: suitable for gardens, square, road, hotels, resorts, clubs and bridge.

#### 材质及特点

- ◆ 灯体：采用高级铸造铝。
- ◆ 内部：采用内外热镀锌钢管辅助受力。
- ◆ 灯罩：玻璃材质
- ◆ 电源：220V，50Hz/60Hz
- ◆ 适用光源：节能光源，LED灯泡，70W高压钠灯或者金属卤化物灯泡
- ◆ 灯头：E27
- ◆ 颜色：优质专用户外塑，根据需求可做不同的颜色。
- ◆ 用途：适合于园林、广场、道路、酒店、度假村、会所及桥梁。

YAMP-G2013025

# YONGGANLIGHTING



永源  
YONGGAN





#### Material and Features

- ◆ Body: Made with High grade cast aluminum.
- ◆ Inside: Hot dip galvanized iron pole.
- ◆ Optical shade: Glass
- ◆ Powder Source: 220V, 50Hz/60Hz.
- ◆ Suitable Lamp: Energy saving / LED/ 70W High Pressure Sodium/ Metal Halide Bulb.
- ◆ Lamp holder: E27
- ◆ Painting: Powder painting.
- ◆ Uses: suitable for gardens, square, road, hotels, resorts, clubs and bridge.

#### 材质及特点

- ◆ 灯体：采用高级铸造铝。
- ◆ 内部：采用内外热镀锌钢管辅助受力。
- ◆ 灯罩：玻璃材质
- ◆ 电源：220V，50Hz/60Hz
- ◆ 适用光源：节能灯光源，LED灯泡，70W高压钠灯或者金属卤化物灯泡
- ◆ 灯头：E27
- ◆ 颜色：优质专用户外塑，根据需求可做不同的颜色。
- ◆ 用途：适合于园林、广场、道路、酒店、度假村、会所及桥梁。

YAMP-G2013026



цондунан

# YONGAN LIGHTING

Gravity Casting Lighting Series



## Material and Features

- ◆ Body: Made with High grade cast aluminum.
- ◆ Inside: Hot dip galvanized iron pole.
- ◆ Optical shade: Glass
- ◆ Powder Source: 220V, 50Hz/60Hz.
- ◆ Suitable Lamp: Energy saving / LED/ 70W High Pressure Sodium/Metal Halide Bulb.
- ◆ Lamp holder: E27
- ◆ Painting: Powder painting.
- ◆ Uses: suitable for gardens, square, road, hotels, resorts, clubs and bridge.

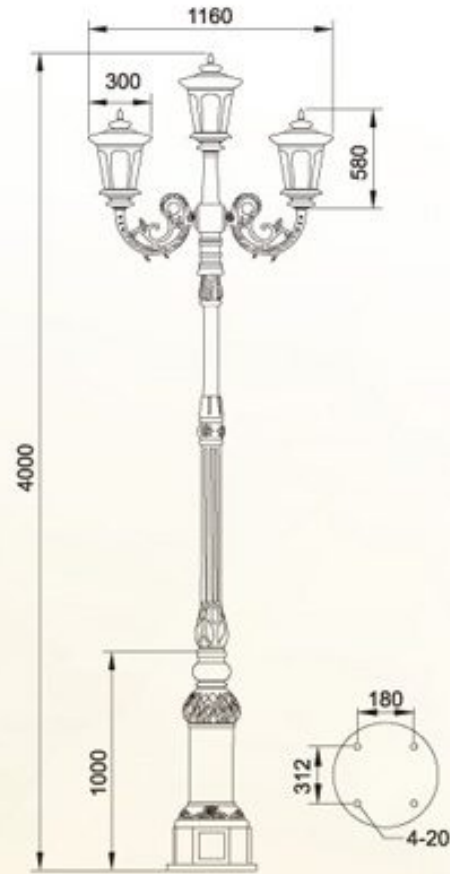
## 材质及特点

- ◆ 灯体：采用高级铸造铝。
- ◆ 内部：采用内外热镀锌钢管辅助受力。
- ◆ 灯罩：玻璃材质
- ◆ 电源：220V，50Hz/60Hz
- ◆ 适用光源：节能灯光源，LED灯泡，70W高压钠灯或者金属卤化物灯泡
- ◆ 灯头：E27
- ◆ 颜色：优质专用户外型，根据需求可做不同的颜色。
- ◆ 用途：适合于园林、广场、道路、酒店、度假村、会所及桥梁。

YAMP-G2013027



YAMP-G2013028



#### Material and Features

- ◆ Body: Made with High grade cast aluminum.
- ◆ Inside: Hot dip galvanized iron pole.
- ◆ Optical shade: Glass
- ◆ Powder Source: 220V, 50Hz/60Hz.
- ◆ Suitable Lamp: Energy saving / LED/ 70W High Pressure Sodium/Metal Halide Bulb.
- ◆ Lamp holder: E27
- ◆ Painting: Powder painting.
- ◆ Uses: suitable for gardens, square, road, hotels, resorts, clubs and bridge.

#### 材质及特点

- ◆ 灯体：采用高级铸造铝。
- ◆ 内部：采用内外热镀锌钢管辅助受力。
- ◆ 灯罩：玻璃材质
- ◆ 电源：220V，50Hz/60Hz
- ◆ 适用光源：节能光源，LED灯泡，70W高压钠灯或者金属卤化物灯泡
- ◆ 灯头：E27
- ◆ 颜色：优质专用户外塑，根据需求可做不同的颜色。
- ◆ 用途：适合于园林、广场、道路、酒店、度假村、会所及桥梁。

# YONGAN LIGHTING

Gravity Casting Lighting Series





YAMP-G2013029



**Material and Features**

- ◆ Body: Made with High grade cast aluminum.
- ◆ Inside: Hot dip galvanized iron pole.
- ◆ Optical shade: Glass
- ◆ Powder Source: 220V, 50Hz/60Hz.
- ◆ Suitable Lamp: Energy saving / LED/ 70W High Pressure Sodium/Metal Halide Bulb.
- ◆ Lamp holder: E27
- ◆ Painting: Powder painting.
- ◆ Uses: suitable for gardens, square, road, hotels, resorts, clubs and bridge.

**材质及特点**

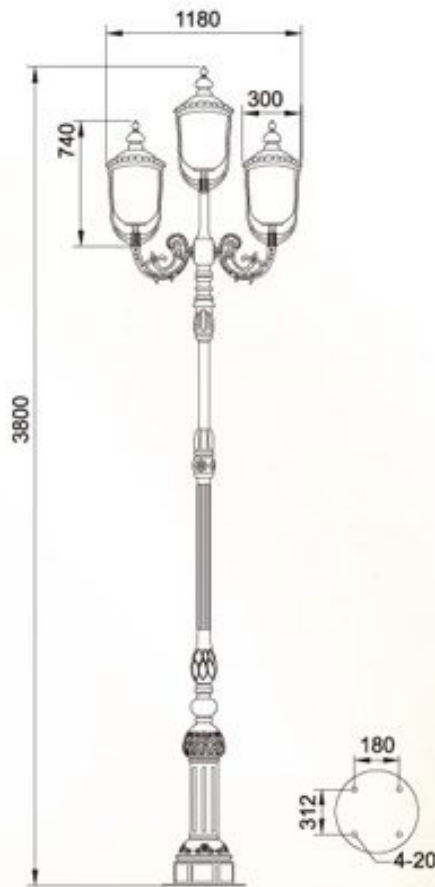
- ◆ 灯体：采用高级铸造铝。
- ◆ 内部：采用内外热镀锌钢管辅助受力。
- ◆ 灯罩：玻璃材质
- ◆ 电源：220V，50Hz/60Hz
- ◆ 适用光源：节能灯光源，LED灯泡，70W高压钠灯或者金属卤化物灯泡
- ◆ 灯头：E27
- ◆ 颜色：优质专用户外塑，根据需求可做不同的颜色。
- ◆ 用途：适合于园林、广场、道路、酒店、度假村、会所及桥梁。

YAMP-G2013029

YONGUAN 永安路灯 | YONGAN LIGHTING  
Gravity Casting Lighting Series

# YAMP-G2013030





**Material and Features**

- ◆ Body: Made with High grade cast aluminum.
- ◆ Inside: Hot dip galvanized iron pole.
- ◆ Optical shade: Glass
- ◆ Power Source: 220V, 50Hz/60Hz.
- ◆ Suitable Lamp: Energy saving / LED/ 70W High Pressure Sodium/Metal Halide Bulb.
- ◆ Lamp holder: E27
- ◆ Painting: Powder painting.
- ◆ Uses: suitable for gardens, square, road, hotels, resorts, clubs and bridge.

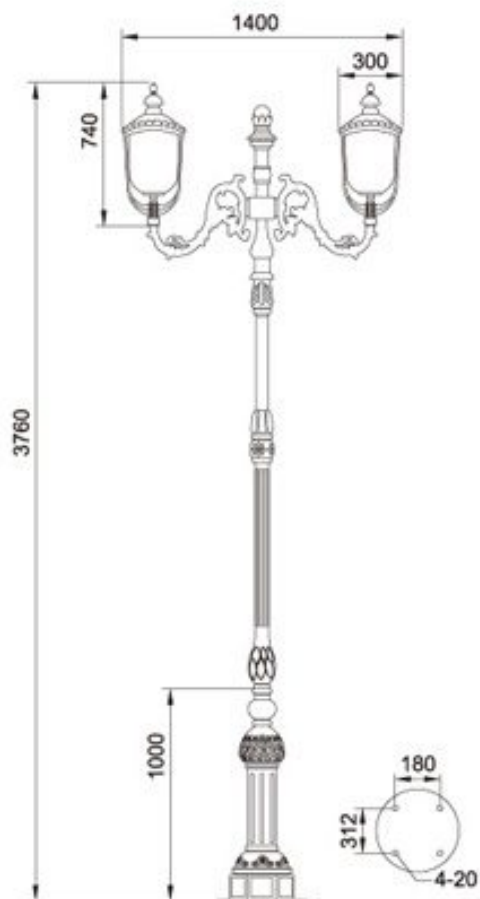
**材质及特点**

- ◆ 灯体：采用高级铸造铝。
- ◆ 内部：采用内外热镀锌钢管辅助受力。
- ◆ 灯罩：玻璃材质
- ◆ 电源：220V，50Hz/60Hz
- ◆ 适用光源：节能灯光源，LED灯泡，70W高压钠灯或者金属卤化物灯泡
- ◆ 灯头：E27
- ◆ 颜色：优质专用户外塑，根据需求可做不同的颜色。
- ◆ 用途：适合于园林、广场、道路、酒店、度假村、会所及桥梁。

YAMP-G2013030



YAMP-G2013031



#### Material and Features

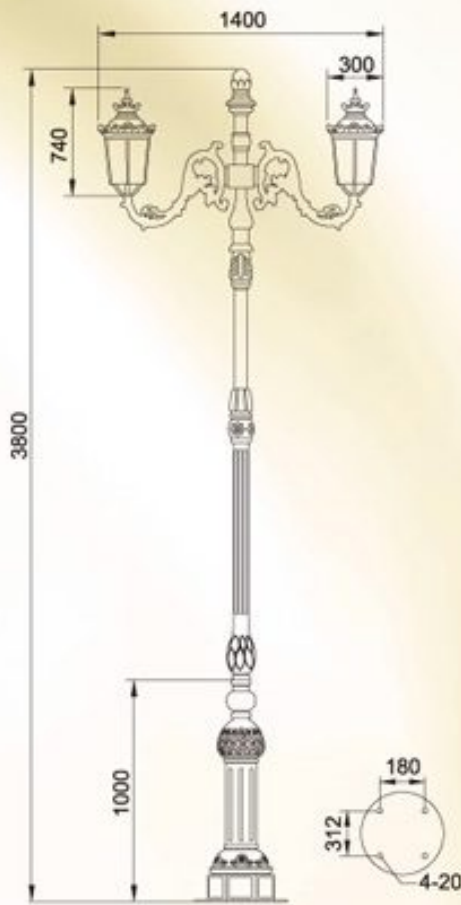
- ◆ Body: Made with High grade cast aluminum.
- ◆ Inside: Hot dip galvanized iron pole.
- ◆ Optical shade: Glass
- ◆ Powder Source: 220V, 50Hz/60Hz.
- ◆ Suitable Lamp: Energy saving / LED/ 70W High Pressure Sodium/Metal Halide Bulb.
- ◆ Lamp holder: E27
- ◆ Painting: Powder painting.
- ◆ Uses: suitable for gardens, square, road, hotels, resorts, clubs and bridge.

#### 材质及特点

- ◆ 灯体：采用高级铸造铝。
- ◆ 内部：采用内外热镀锌钢管辅助受力。
- ◆ 灯罩：玻璃材质
- ◆ 电源：220V, 50Hz/60Hz
- ◆ 适用光源：节能灯光源, LED灯泡, 70W高压钠灯或者金属卤化物灯泡
- ◆ 灯头：E27
- ◆ 颜色：优质专用户外型, 根据需求可做不同的颜色。
- ◆ 用途：适合于园林、广场、道路、酒店、度假村、会所及桥梁。

YAMP-G2013031





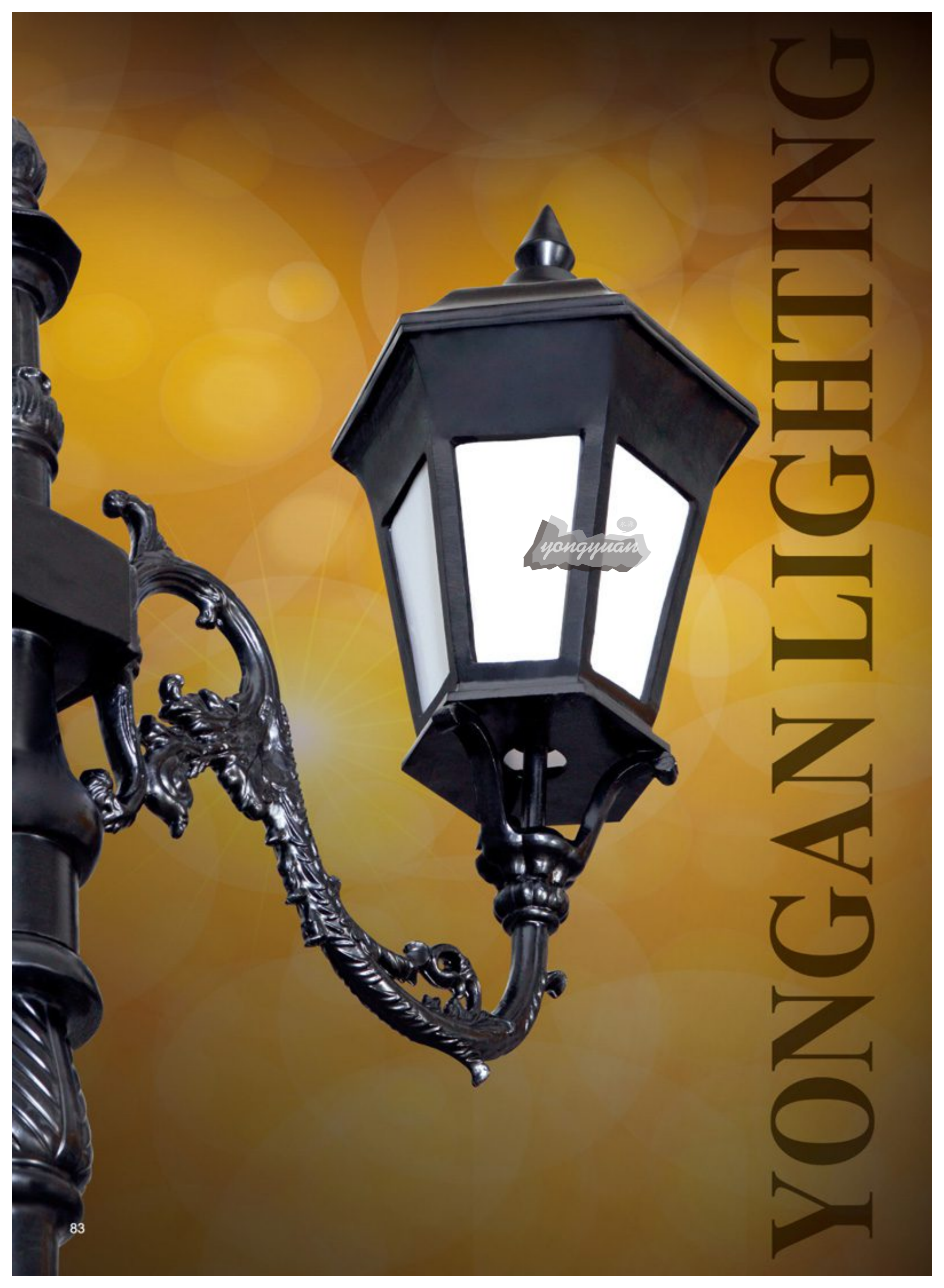
**Material and Features**

- ◆ Body: Made with High grade cast aluminum.
- ◆ Inside: Hot dip galvanized iron pole.
- ◆ Optical shade: Glass
- ◆ Powder Source: 220V, 50Hz/60Hz.
- ◆ Suitable Lamp: Energy saving / LED.
- ◆ Lamp holder: E27
- ◆ Painting: Powder painting.
- ◆ Uses: suitable for gardens, square, road, hotels, resorts, clubs and bridge.

**材质及特点**

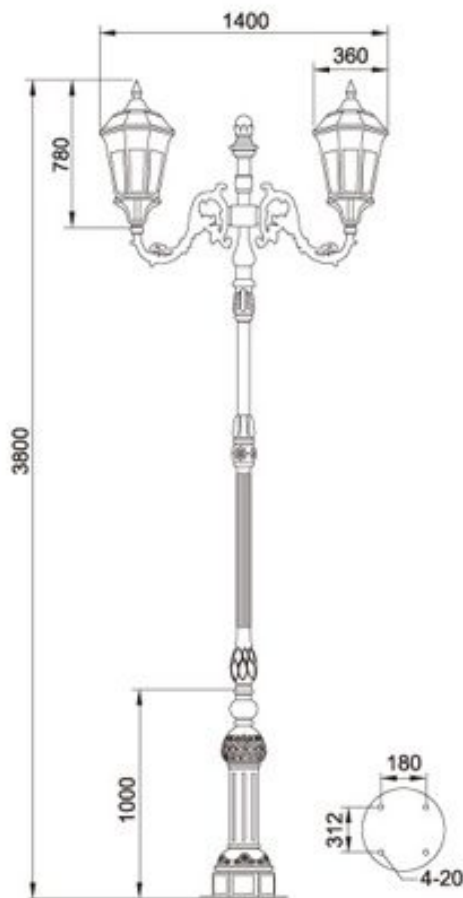
- ◆ 灯体：采用高级铸造铝。
- ◆ 内部：采用内外热镀锌钢管辅助受力。
- ◆ 灯罩：玻璃材质
- ◆ 电源：220V，50Hz/60Hz
- ◆ 适用光源：节能灯光源 或者LED灯泡
- ◆ 灯头：E27
- ◆ 颜色：优质专用户外塑，根据需求可做不同的颜色。
- ◆ 用途：适合于园林、广场、道路、酒店、度假村、会所及桥梁。

YAMP-G2013032



YONGGANG

# YONGGANG AN LIGHTING



#### Material and Features

- ◆ Body: Made with High grade cast aluminum.
- ◆ Inside: Hot dip galvanized iron pole.
- ◆ Optical shade: Glass
- ◆ Powder Source: 220V, 50Hz/60Hz.
- ◆ Suitable Lamp: Energy saving / LED/ 70W High Pressure Sodium/Metal Halide Bulb.
- ◆ Lamp holder: E27
- ◆ Painting: Powder painting.
- ◆ Uses: suitable for gardens, square, road, hotels, resorts, clubs and bridge.

#### 材质及特点

- ◆ 灯体：采用高级铸造铝。
- ◆ 内部：采用内外热镀锌钢管辅助受力。
- ◆ 灯罩：玻璃材质
- ◆ 电源：220V，50Hz/60Hz
- ◆ 适用光源：节能灯光源，LED灯泡，70W高压钠灯或者金属卤化物灯泡
- ◆ 灯头：E27
- ◆ 颜色：优质专用户外型，根据需求可做不同的颜色。
- ◆ 用途：适合于园林、广场、道路、酒店、度假村、会所及桥梁。

YAMP-G2013033

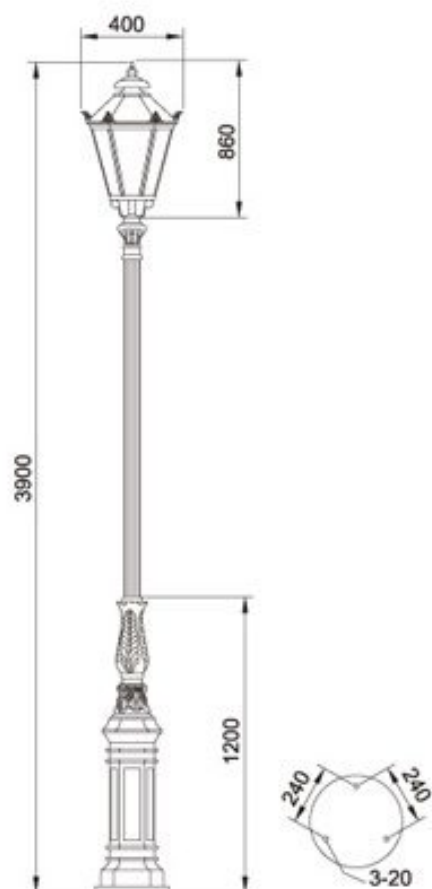
YONGAN LIGHTING  
Gravity Casting Lighting Series

YONGAN LIGHTING



уонгмуан





#### Material and Features

- ◆ Body: Made with High grade cast aluminum.
- ◆ Inside: Hot dip galvanized iron pole.
- ◆ Optical shade: Glass
- ◆ Powder Source: 220V, 50Hz/60Hz.
- ◆ Suitable Lamp: Energy saving / LED
- ◆ Lamp holder: E27
- ◆ Painting: Powder painting.
- ◆ Uses: suitable for gardens, square, road, hotels, resorts, clubs and bridge.

#### 材质及特点

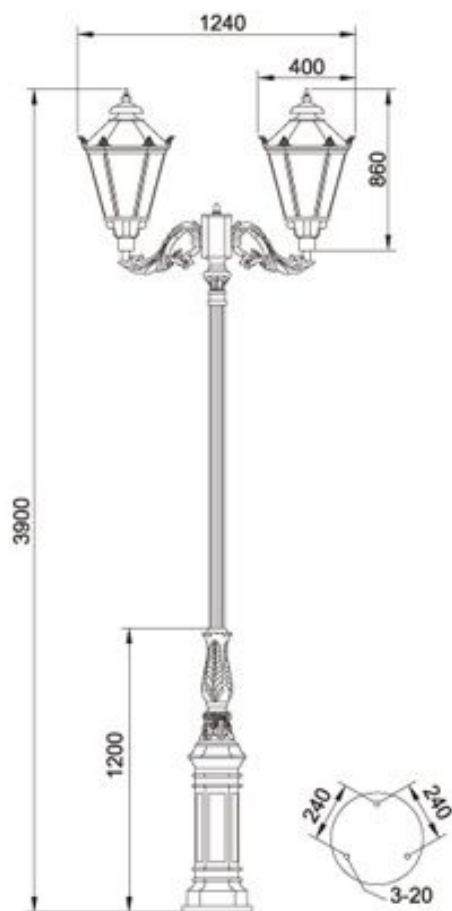
- ◆ 灯体：采用高级铸造铝。
- ◆ 内部：采用内外热镀锌钢管辅助受力。
- ◆ 灯罩：玻璃材质
- ◆ 电源：220V，50Hz/60Hz
- ◆ 适用光源：节能灯光源 或者 LED灯泡
- ◆ 灯头：E27
- ◆ 颜色：优质专用户外塑，根据需求可做不同的颜色。
- ◆ 用途：适合于园林、广场、道路、酒店、度假村、会所及桥梁。

YAMP-G2013034

# YONGGAN LIGHTING



永源  
yonggan



**Material and Features**

- ◆ Body: Made with High grade cast aluminum.
- ◆ Inside: Hot dip galvanized iron pole.
- ◆ Optical shade: Glass
- ◆ Powder Source: 220V, 50Hz/60Hz.
- ◆ Suitable Lamp: Energy saving / LED
- ◆ Lamp holder: E27
- ◆ Painting: Powder painting.
- ◆ Uses: suitable for gardens, square, road, hotels, resorts, clubs and bridge.

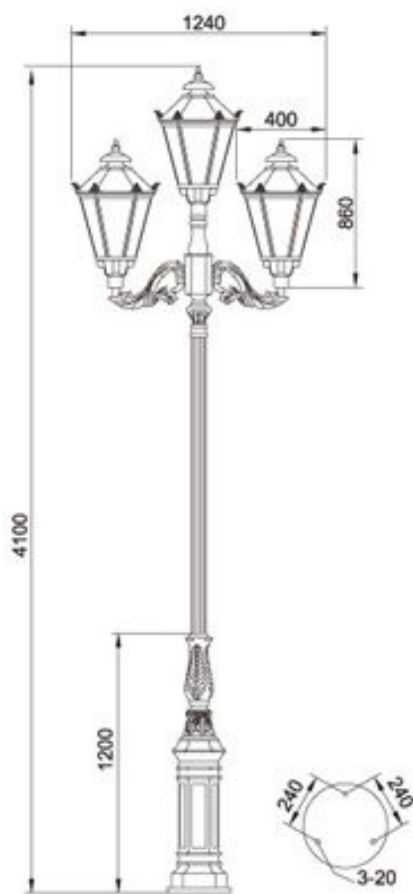
**材质及特点**

- ◆ 灯体：采用高级铸造铝。
- ◆ 内部：采用内外热镀锌钢管辅助受力。
- ◆ 灯罩：玻璃材质
- ◆ 电源：220V，50Hz/60Hz
- ◆ 适用光源：节能灯光源 或者 LED灯泡
- ◆ 灯头：E27
- ◆ 颜色：优质专用户外塑，根据需求可做不同的颜色。
- ◆ 用途：适合于园林、广场、道路、酒店、度假村、会所及桥梁。

YAMP-G2013035



YAMP-G2013036



**Material and Features**

- ◆ Body: Made with High grade cast aluminum.
- ◆ Inside: Hot dip galvanized iron pole.
- ◆ Optical shade: Glass
- ◆ Powder Source: 220V, 50Hz/60Hz.
- ◆ Suitable Lamp: Energy saving / LED
- ◆ Lamp holder: E27
- ◆ Painting: Powder painting.
- ◆ Uses: suitable for gardens, square, road, hotels, resorts, clubs and bridge.

**材质及特点**

- ◆ 灯体：采用高级铸造铝。
- ◆ 内部：采用内外热镀锌钢管辅助受力。
- ◆ 灯罩：玻璃材质
- ◆ 电源：220V，50Hz/60Hz
- ◆ 适用光源：节能灯光源 或者 LED灯泡
- ◆ 灯头：E27
- ◆ 颜色：优质专用户外塑，根据需求可做不同的颜色。
- ◆ 用途：适合于园林、广场、道路、酒店、度假村、会所及桥梁。

YAMP-G2013036