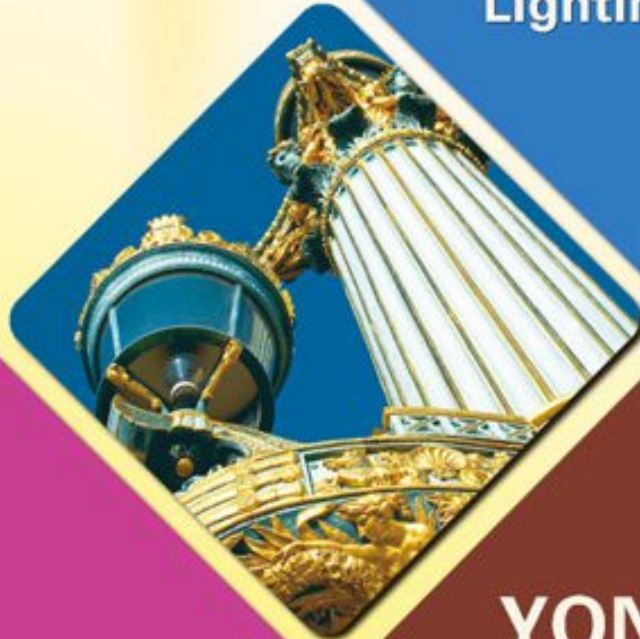


**YONGAN** 永安路灯  
YONGAN LIGHTING

Gravity Casting  
Lighting Series



YONGAN  
LIGHTING

LED Street  
Light Series



 **永安路灯**

**YONGAN LIGHTING**



**YAMP-G2013097**  
**P198**



**YAMP-G2013098**  
**P199**



**YAMP-G2013099**  
**P199**



**YAMP-G2013100**  
**P200**



**YAMP-G2013101**  
**P200**



# 目錄

目录



YAMP-G2013081  
P189



YAMP-G2013082  
P190



YAMP-G2013083  
P190



YAMP-G2013084  
P191



YAMP-G2013085  
P192



YAMP-G2013086  
P192



YAMP-G2013087  
P193



YAMP-G2013088  
P193



YAMP-G2013089  
P194



YAMP-G2013090  
P194



YAMP-G2013091  
P195



YAMP-G2013092  
P195



YAMP-G2013093  
P196



YAMP-G2013094  
P196



YAMP-G2013095  
P197



YAMP-G2013096  
P198



YAMP-G2013044  
P119-120



YAMP-G2013045  
P121-122



YAMP-G2013046  
P123-124



YAMP-G2013047  
P125-126



YAMP-G2013048  
P127-128



YAMP-G2013049  
P129-130



YAMP-G2013050  
P131-132



YAMP-G2013051  
P133-134



YAMP-G2013052  
P135-136



YAMP-G2013053  
P137-138



YAMP-G2013054  
P139-140



YAMP-G2013055  
P141



YAMP-G2013056  
P142



YAMP-G2013057  
P145-146



YAMP-G2013058  
P147-148



YAMP-G2013059  
P149-150



YAMP-G2013060  
P151-152



YAMP-G2013061  
P153-154



YAMP-G2013062  
P155-156



YAMP-G2013063  
P157-158



YAMP-G2013064  
P159-160



YAMP-G2013065  
P161



YAMP-G2013066  
P162



YAMP-G2013067  
P163-164



YAMP-G2013068  
P165



YAMP-G2013069  
P166



YAMP-G2013070  
P169-170



YAMP-G2013071  
P171-172



YAMP-G2013072  
P173-174



YAMP-G2013073  
P175



YAMP-G2013074  
P176



YAMP-G2013075  
P177



YAMP-G2013076  
P178



YAMP-G2013077  
P179



YAMP-G2013078  
P180



YAMP-G2013079  
P181



YAMP-G2013080  
P182



# 目录

DIRECTORY



YAMP-G2013001  
P5-6



YAMP-G2013002  
P9-10



YAMP-G2013003  
P13-14



YAMP-G2013004  
P15-16



YAMP-G2013005  
P19-20



YAMP-G2013006  
P21-22



YAMP-G2013007  
P23-24



YAMP-G2013008  
P25-26



YAMP-G2013009  
P27-28



YAMP-G2013010  
P31-32



YAMP-G2013011  
P35-36



YAMP-G2013012  
P37-38



YAMP-G2013013  
P39-40



YAMP-G2013014  
P41-42



YAMP-G2013015  
P45-46



YAMP-G2013016  
P49-50



YAMP-G2013017  
P51-52



YAMP-G2013018  
P53-54



YAMP-G2013019  
P55-56



YAMP-G2013020  
P57-58



YAMP-G2013021  
P59-60



YAMP-G2013022  
P61-62



YAMP-G2013023  
P63-64



YAMP-G2013024  
P65-66



YAMP-G2013025  
P67-68



YAMP-G2013026  
P69-70



YAMP-G2013027  
P71-72



YAMP-G2013028  
P73-74



YAMP-G2013029  
P75-76



YAMP-G2013030  
P77-78



YAMP-G2013031  
P79-80



YAMP-G2013032  
P81-82



YAMP-G2013033  
P83-84



YAMP-G2013034  
P87-88



YAMP-G2013035  
P89-90



YAMP-G2013036  
P91-92



YAMP-G2013037  
P95-96



YAMP-G2013038  
P97-98



YAMP-G2013039  
P99-100



YAMP-G2013040  
P105-106



YAMP-G2013041  
P107-108



YAMP-G2013042  
P109-110



YAMP-G2013043  
P111-112



# Company profile

Constructed in 1990, Zhongshan Yongan street lighting Co.,Ltd has went through 20 springs and autumns. With Yongan people's hard working, our company has already developed into a modern and large-scale enterprise, basing on outdoor illuminating and comprehensive development of polytype and industry, also, combining designing, production and marketing into a whole.

Yongan company believe that innovation is the company's core competitiveness and the original motion to keep on developing. In the past decade, Yongan quickens the pace to update the products, integrate advanced technology elements, so that improve the market competitiveness of the products. Through sending designers to make research in developed countries and getting profound experts guiding, Yongan's products have their own different style meeting the needs of people from different culture. The products from Yongan are unique model, good illuminating effect, and the quality always ranks first in the same industries. After communicating with clients and compile their feedback opinion, Yongan improves their products and manufacturing technique continually, and builds up its fine name-brand image of world-class illuminating. For these years, Yongan people enrich products' type ceaselessly, and have developed ploy type energy-saving lamps, such as, high brightness LED, electrode less lamp, solar street light, wind-solar street light, etc. All these products are integrated sophisticated technology elements, high quality and stable property, making themselves to be well adapted to the times.

Based on the belief that quality is the first competitiveness of company, Yongan takes strick control and management on the production process and method, brings in advanced management concept and production equipment, provides training for the employees, so that to ensure both the appearance and quality of Yongan's products are beyond compare. Based on the concept that "quality first, business integrity, Yongan's products win warm welcome from customers at all levels, including different government organs, real estate developer and park & garden companies, and all of the products are extensively used in municipal govern mends, real estate sector, park & garden landscape and leisure resort, creating a graceful environment for the social pubic, which confirms Yongan's slogan that: "good light, and good environment". Yongan's products exceed 8000 different kinds, with generous shape, diverse style and unique design. Due to their own distinguishing features, Yongan's products are not only warmly welcomed in domestic, but also sold around the world, developing to the business goal that: toward the world.

Yongan emphasize the management concept of "people-oriented" and the training of qualified personnel. The manager devotes to operate the company according to the international business standard, and attempt a modern enterprise intergraded with management team, scientific team, production team, sales team and service team, all of which are united and positive. Base the now, and moving into the future, Yongan will make technology innovation constantly, and improve company's competitiveness base on the concept that "quality first, business integrity". All the people in Zhongshan Yongan street lamp Co., Ltd. hopes that they can move toward the illustrious future together with the world.



YONGAN 永安路燈 | YONGAN LIGHTING

Gravity Casting Lighting Series



YONGAN





永源  
yongyuan

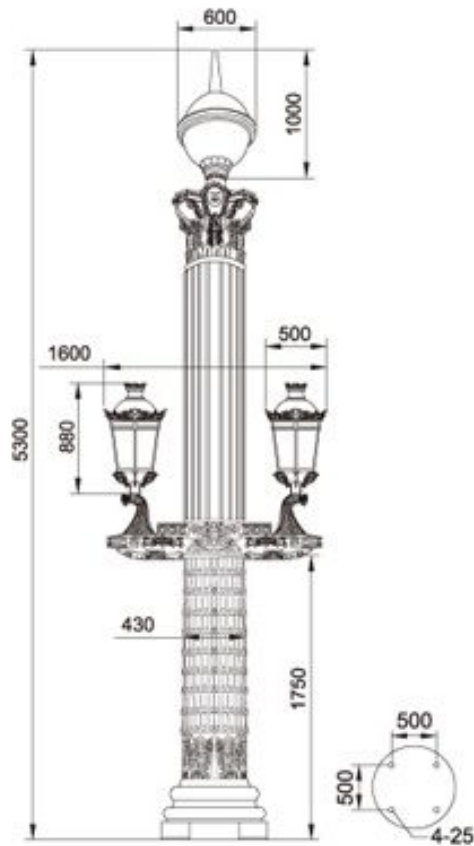
YONGAN 永安路灯 | YONGAN LIGHTING

Gravity Casting Lighting Series

YONGAN



YAMP-G2013001



#### Material and Features

- ◆ Body: Made with High grade cast aluminum.
- ◆ Inside: Hot dip galvanized iron pole.
- ◆ Optical shade: PC High purity transparent, high transmission of light.
- ◆ Top-lift Cover, easy repair and maintenance
- ◆ Powder Source: 220V, 50Hz/60Hz.
- ◆ Suitable Lamp: 70W-150W High Pressure Sodium/ Metal Halide Bulb.
- ◆ Lamp holder: E27/E40/G12.
- ◆ Painting: Powder painting.
- ◆ Uses: suitable for square, hotels, resorts, bridge.

#### 材质及特点

- ◆ 灯体：采用高级铸造铝。
- ◆ 内部：采用内外热镀锌钢管辅助受力。
- ◆ 灯罩：高纯度透明PC 材质。
- ◆ 灯具顶盖合页安装易于安装和维护。
- ◆ 电源：220V，50Hz/60Hz
- ◆ 适用光源：70W-150W高压钠灯/金属卤化物光源
- ◆ 灯头：E27/E40/G12
- ◆ 颜色：优质专用户外塑，根据需求可做不同的颜色。
- ◆ 用途：适合于广场、酒店、度假村、桥梁。

YAMP-G2013001



YONGUAN



уондунан



YONGAN LIGHTING 永安

YONGAN LIGHTING 永安



YAMP-G2013002

#### Material and Features

- ◆ Body: Casting Aluminum Body.
- ◆ Reflector: High purity anodized aluminum.
- ◆ Optical shade: PC High purity transparent, high transmission of light.
- ◆ Top-lift Cover, easy repair and maintenance.
- ◆ Applied to realize the suspend and top installation.

#### Technical Parameters

- ◆ Optical Group Protection grade: IP67.
- ◆ Shock Protecting measures falls into I - II category.
- ◆ Powder Source: 220V, 50Hz/60Hz.
- ◆ Suitable Lamp: 70W-150W High Pressure Sodium/Metal Halide Bulb.
- ◆ Lamp holder: E27/E40/G12.
- ◆ Painting: Powder painting.

#### 材料和功能

- ◆ 灯体：高强度铸造铝制品。
- ◆ 反光罩：高纯度铝阳极氧化。
- ◆ 灯罩：高纯度透明PC 材质。
- ◆ 顶盖合页安装，便于维修和保养
- ◆ 根据需要可以对灯具进行吊或顶部安装

#### 技术参数

- ◆ 防护等级：IP67.
- ◆ 电气等级：I 类型/II 类型
- ◆ 电源：220V, 50Hz/60Hz
- ◆ 适用光源：70W-150W高压钠灯/金属卤化物光源
- ◆ 灯头：E27/E40/G12
- ◆ 颜色：优质专用户外装







YAMP-G2013003



#### Material and Features

- ◆ Body: Made with High grade cast aluminum.
- ◆ Inside: Hot dip galvanized iron pole.
- ◆ Optical shade: PC High purity transparent, high transmission of light.
- ◆ Top-lift Cover, easy repair and maintenance
- ◆ Powder Source: 220V, 50Hz/60Hz.
- ◆ Suitable Lamp: 70W-150W High Pressure Sodium/ Metal Halide Bulb.
- ◆ Lamp holder: E27/E40/G12.
- ◆ Painting: Powder painting.
- ◆ Uses: suitable for gardens, square, road, hotels, resorts, clubs and bridge.

#### 材质及特点

- ◆ 灯体：采用高级铸造铝。
- ◆ 内部：采用内外热镀锌钢管辅助受力。
- ◆ 灯罩：高纯度透明PC 材质。
- ◆ 灯具顶盖合页安装易于安装和维护。
- ◆ 电源：220V，50Hz/60Hz
- ◆ 适用光源：70W-150W高压钠灯/金属卤化物光源
- ◆ 灯头：E27/E40/G12
- ◆ 颜色：优质专用户外塑，根据需求可做不同的颜色。
- ◆ 用途：适合于园林、广场、道路、酒店、度假村、会所及桥梁。

YAMP-G2013003





**YAMP-G2013004**

**YAMP-G2013004**

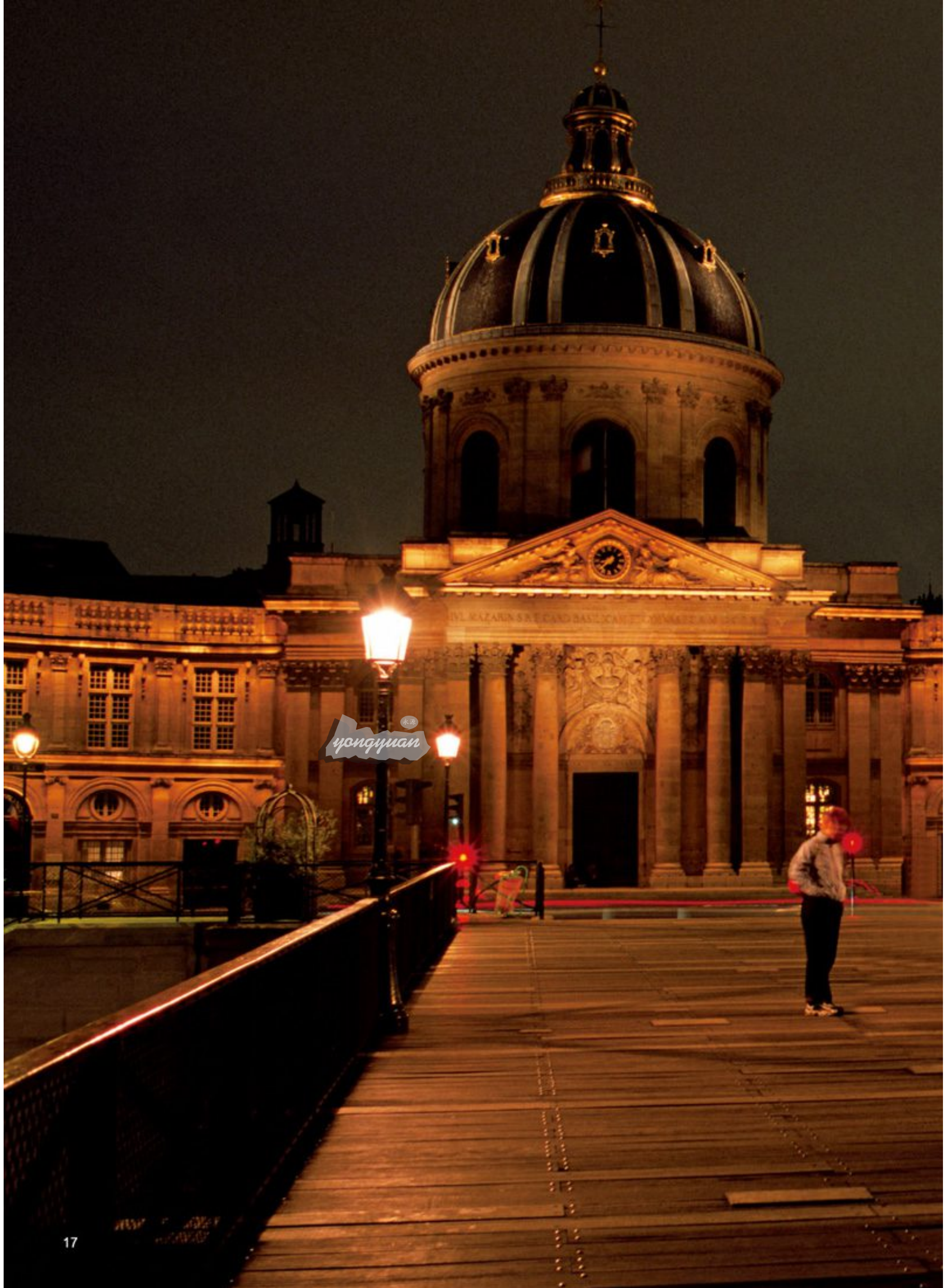
**Material and Features**

- ◆ Body: Made with High grade cast aluminum.
- ◆ Inside: Hot dip galvanized iron pole.
- ◆ Optical shade: PC High purity transparent, high transmission of light.
- ◆ Top-lift Cover, easy repair and maintenance
- ◆ Powder Source: 90 – 295VAC, 50Hz/60Hz.
- ◆ Suitable Lamp: 50W-100W LED .
- ◆ Painting: Powder painting.
- ◆ Uses: suitable for gardens, square, road, hotels, resorts, clubs and bridge.

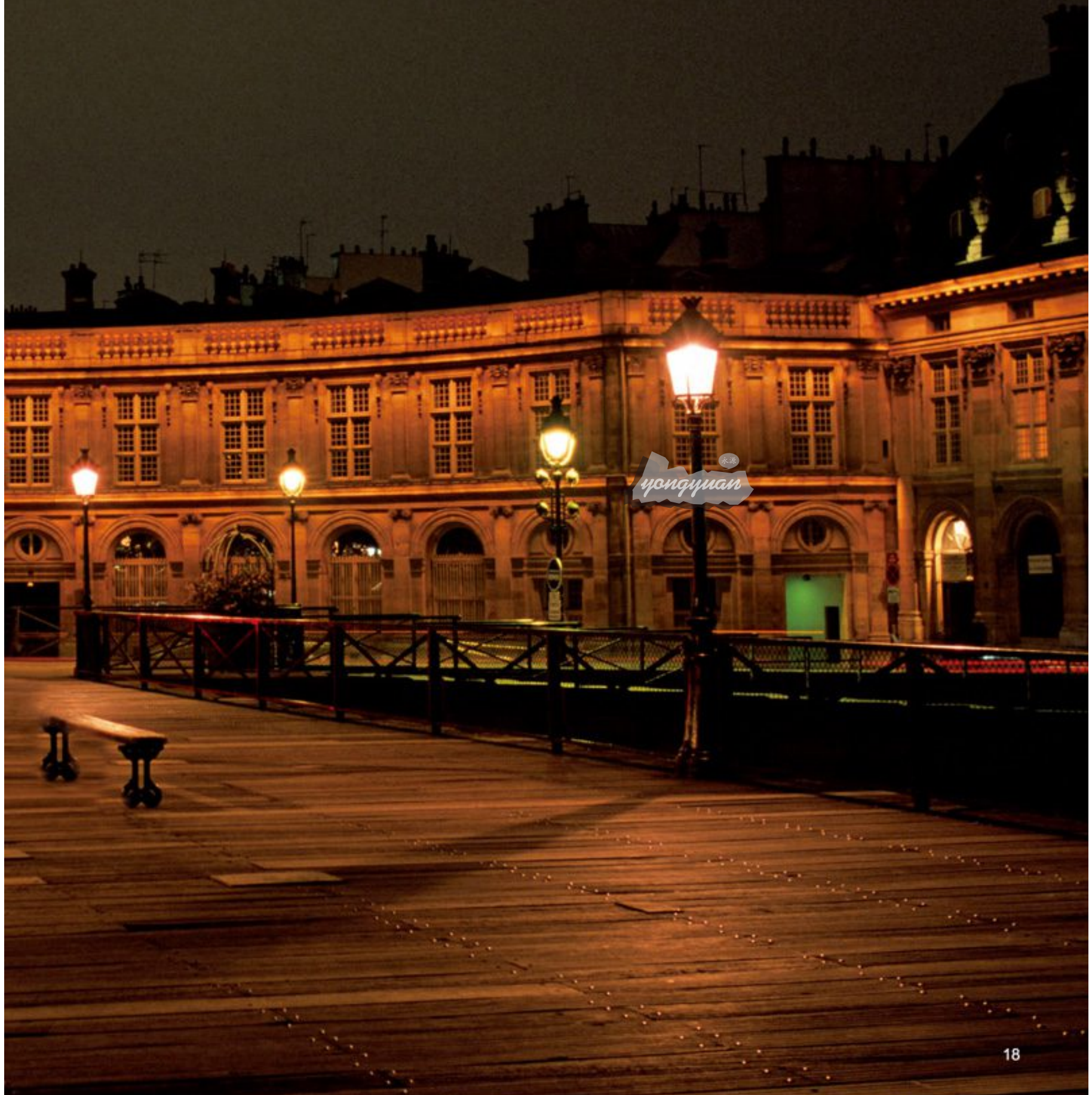
**材质及特点**

- ◆ 灯体：采用高级铸造铝。
- ◆ 内部：采用内外热镀锌钢管辅助受力。
- ◆ 灯罩：高纯度透明PC 材质。
- ◆ 灯具顶盖合页安装易于安装和维护。
- ◆ 电源：90-295VAC，50Hz/60Hz
- ◆ 适用光源：50W-100W LED光源
- ◆ 颜色：优质专用户外型，根据需求可做不同的颜色。
- ◆ 用途：适合于园林、广场、道路、酒店、度假村、会所及桥梁。



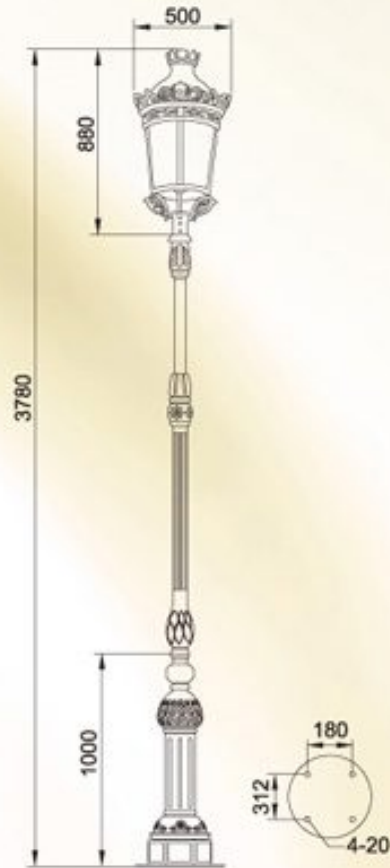


永源  
Yongyuan



YONGAN 永安





**Material and Features**

- ◆ Body: Made with High grade cast aluminum.
- ◆ Inside: Hot dip galvanized iron pole.
- ◆ Optical shade: PC High purity transparent, high transmission of light.
- ◆ Top-lift Cover, easy repair and maintenance
- ◆ Powder Source: 220V, 50Hz/60Hz.
- ◆ Suitable Lamp: 70W-150W High Pressure Sodium/Metal Halide Bulb.
- ◆ Lamp holder: E27/E40/G12.
- ◆ Painting: Powder painting.
- ◆ Uses: suitable for gardens, square, road, hotels, resorts, clubs and bridge.

**材质及特点**

- ◆ 灯体：采用高级铸造铝。
- ◆ 内部：采用内外热镀锌钢管辅助受力。
- ◆ 灯罩：高纯度透明PC 材质。
- ◆ 灯具顶盖合页安装易于安装和维护。
- ◆ 电源：220V，50Hz/60Hz
- ◆ 适用光源：70W-150W高压钠灯/金属卤化物光源
- ◆ 灯头：E27/E40/G12
- ◆ 颜色：优质专用户外塑，根据需求可做不同的颜色。
- ◆ 用途：适合于园林、广场、道路、酒店、度假村、会所及桥梁。

YAMP-G2013005



YAMP-G2013006



**Material and Features**

- ◆ Body: Made with High grade cast aluminum.
- ◆ Inside: Hot dip galvanized iron pole.
- ◆ Optical shade: PC High purity transparent, high transmission of light.
- ◆ Top-lift Cover, easy repair and maintenance
- ◆ Powder Source: 220V, 50Hz/60Hz.
- ◆ Suitable Lamp: 70W-150W High Pressure Sodium/Metal Halide Bulb.
- ◆ Lamp holder: E27/E40/G12.
- ◆ Painting: Powder painting.
- ◆ Uses: suitable for gardens, square, road, hotels, resorts, clubs and bridge.

**材质及特点**

- ◆ 灯体：采用高级铸造铝。
- ◆ 内部：采用内外热镀锌钢管辅助受力。
- ◆ 灯罩：高纯度透明PC 材质。
- ◆ 灯具顶盖合页安装易于安装和维护。
- ◆ 电源：220V，50Hz/60Hz
- ◆ 适用光源：70W-150W高压钠灯/金属卤化物光源
- ◆ 灯头：E27/E40/G12
- ◆ 颜色：优质专用户外塑，根据需求可做不同的颜色。
- ◆ 用途：适合于园林、广场、道路、酒店、度假村、会所及桥梁。

YAMP-G2013006



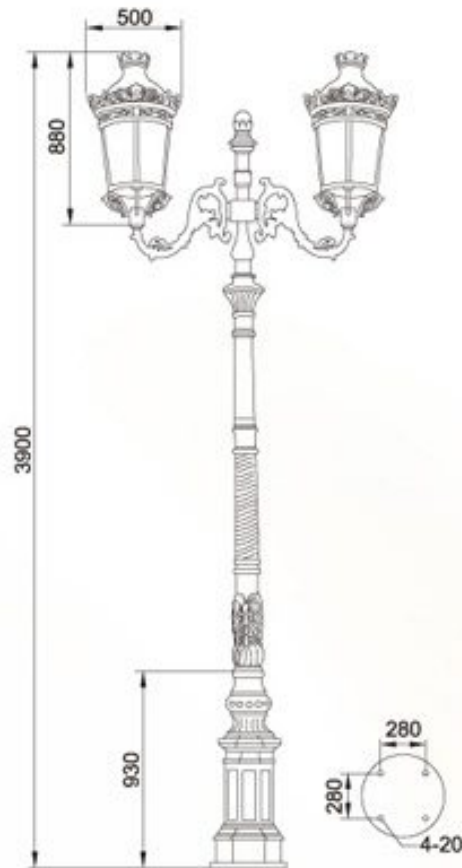
YONGYUAN



YAMP-G2013007

# YONGAN LIGHTING

## Gravity Casting Lighting Series



### YAMP-G2013007

#### Material and Features

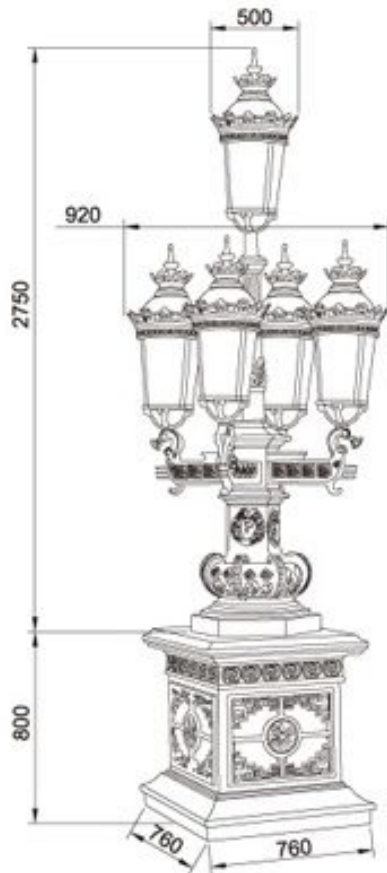
- ◆ Body: Made with High grade cast aluminum.
- ◆ Inside: Hot dip galvanized iron pole.
- ◆ Optical shade: PC High purity transparent, high transmission of light.
- ◆ Top-lift Cover, easy repair and maintenance
- ◆ Powder Source: 220V, 50Hz/60Hz.
- ◆ Suitable Lamp: 70W-150W High Pressure Sodium/Metal Halide Bulb.
- ◆ Lamp holder: E27/E40/G12.
- ◆ Painting: Powder painting.
- ◆ Uses: suitable for gardens, square, road, hotels, resorts, clubs and bridge.

#### 材质及特点

- ◆ 灯体：采用高级铸造铝。
- ◆ 内部：采用内外热镀锌钢管辅助受力。
- ◆ 灯罩：高纯度透明PC 材质。
- ◆ 灯具顶盖合页安装易于安装和维护。
- ◆ 电源：220V，50Hz/60Hz
- ◆ 适用光源：70W-150W高压钠灯/金属卤化物光源
- ◆ 灯头：E27/E40/G12
- ◆ 颜色：优质专用户外塑，根据需求可做不同的颜色。
- ◆ 用途：适合于园林、广场、道路、酒店、度假村、会所及桥梁。



# YONGGANLICHENGG



**Material and Features**

- ◆ Body: Made with High grade cast aluminum.
- ◆ Inside: Hot dip galvanized iron pole.
- ◆ Optical shade: PC High purity transparent, high transmission of light.
- ◆ Top-lift Cover, easy repair and maintenance
- ◆ Powder Source: 220V, 50Hz/60Hz.
- ◆ Suitable Lamp: 70W-150W High Pressure Sodium/ Metal Halide Bulb.
- ◆ Lamp holder: E27/E40/G12.
- ◆ Painting: Powder painting.
- ◆ Uses: suitable for square, hotels, resorts, bridge.

**材质及特点**

- ◆ 灯体：采用高级铸造铝。
- ◆ 内部：采用内外热镀锌钢管辅助受力。
- ◆ 灯罩：高纯度透明PC 材质。
- ◆ 灯具顶盖合页安装易于安装和维护。
- ◆ 电源：220V, 50Hz/60Hz
- ◆ 适用光源：70W-150W高压钠灯/金属卤化物光源
- ◆ 灯头：E27/E40/G12
- ◆ 颜色：优质专用户外塑，根据需求可做不同的颜色。
- ◆ 用途：适合于广场、酒店、度假村、桥梁。

YAMP-G2013008



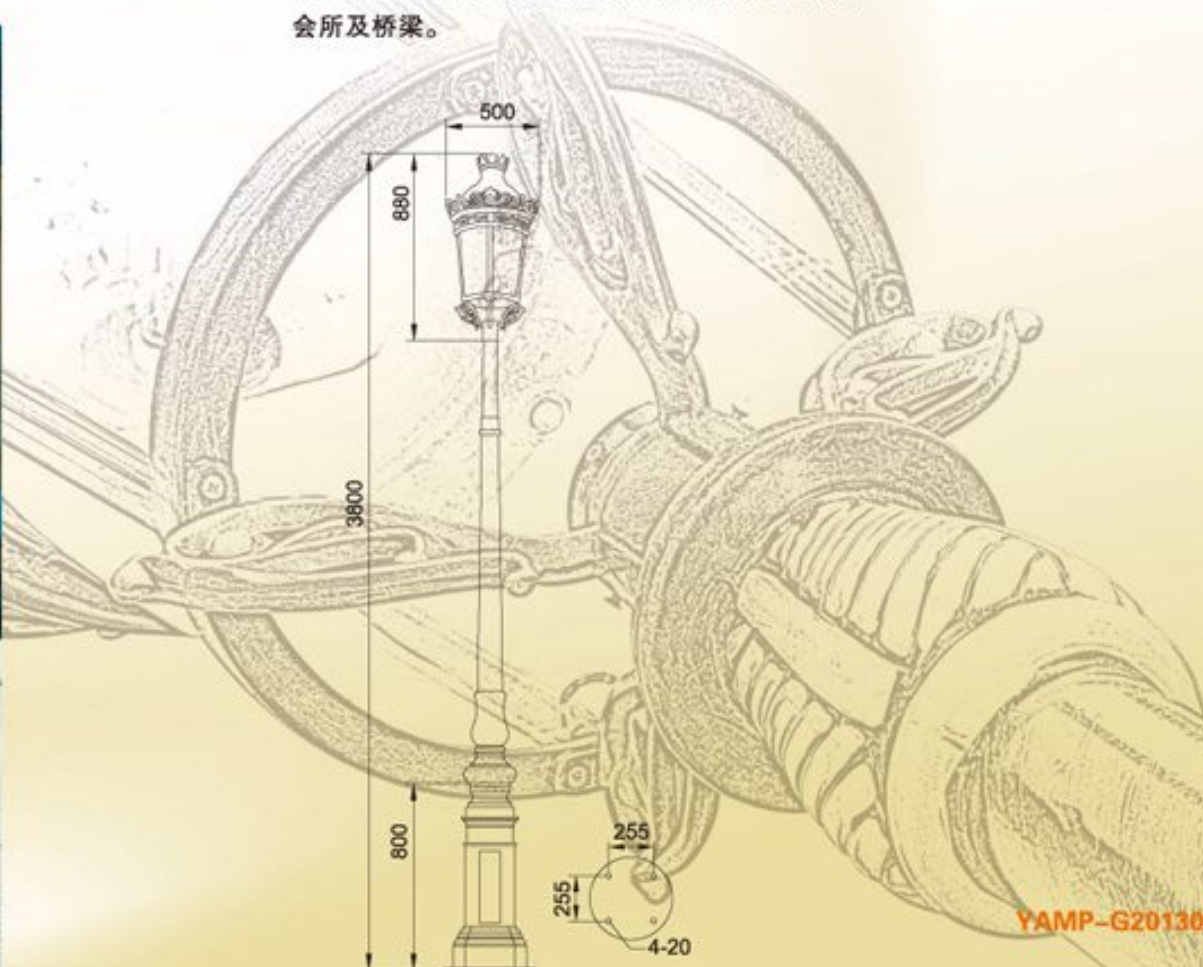
永源  
YONGYUAN

Material and Features

- ◆ Body: Made with High grade cast aluminum.
- ◆ Inside: Hot dip galvanized iron pole.
- ◆ Optical shade: PC High purity transparent, high transmission of light.
- ◆ Top-lift Cover, easy repair and maintenance
- ◆ Powder Source: 220V, 50Hz/60Hz.
- ◆ Suitable Lamp: 70W-150W High Pressure Sodium/ Metal Halide Bulb.
- ◆ Lamp holder: E27/E40/G12.
- ◆ Painting: Powder painting.
- ◆ Uses: suitable for gardens, square, road, hotels, resorts, clubs and bridge.

材质及特点

- ◆ 灯体：采用高级铸造铝。
- ◆ 内部：采用内外热镀锌钢管辅助受力。
- ◆ 灯罩：高纯度透明PC 材质。
- ◆ 灯具顶盖合页安装易于安装和维护。
- ◆ 电源：220V，50Hz/60Hz
- ◆ 适用光源：70W-150W高压钠灯/金属卤化物光源
- ◆ 灯头：E27/E40/G12
- ◆ 颜色：优质专用户外塑，根据需求可做不同的颜色。
- ◆ 用途：适合于园林、广场、道路、酒店、度假村、会所及桥梁。





永安路灯 | YONGAN LIGHTING

Gravity Casting Lighting Series







永源  
YONGYUAN



YAMP-G2013010

#### Material and Features

- ◆ Body: Casting Aluminum Body.
- ◆ Reflector: High purity anodized aluminum.
- ◆ Optical shade: PC High purity transparent, high transmission of light.
- ◆ Top-lift Cover, easy repair and maintenance.
- ◆ Applied to realize the suspend and top installation.

#### Technical Parameters

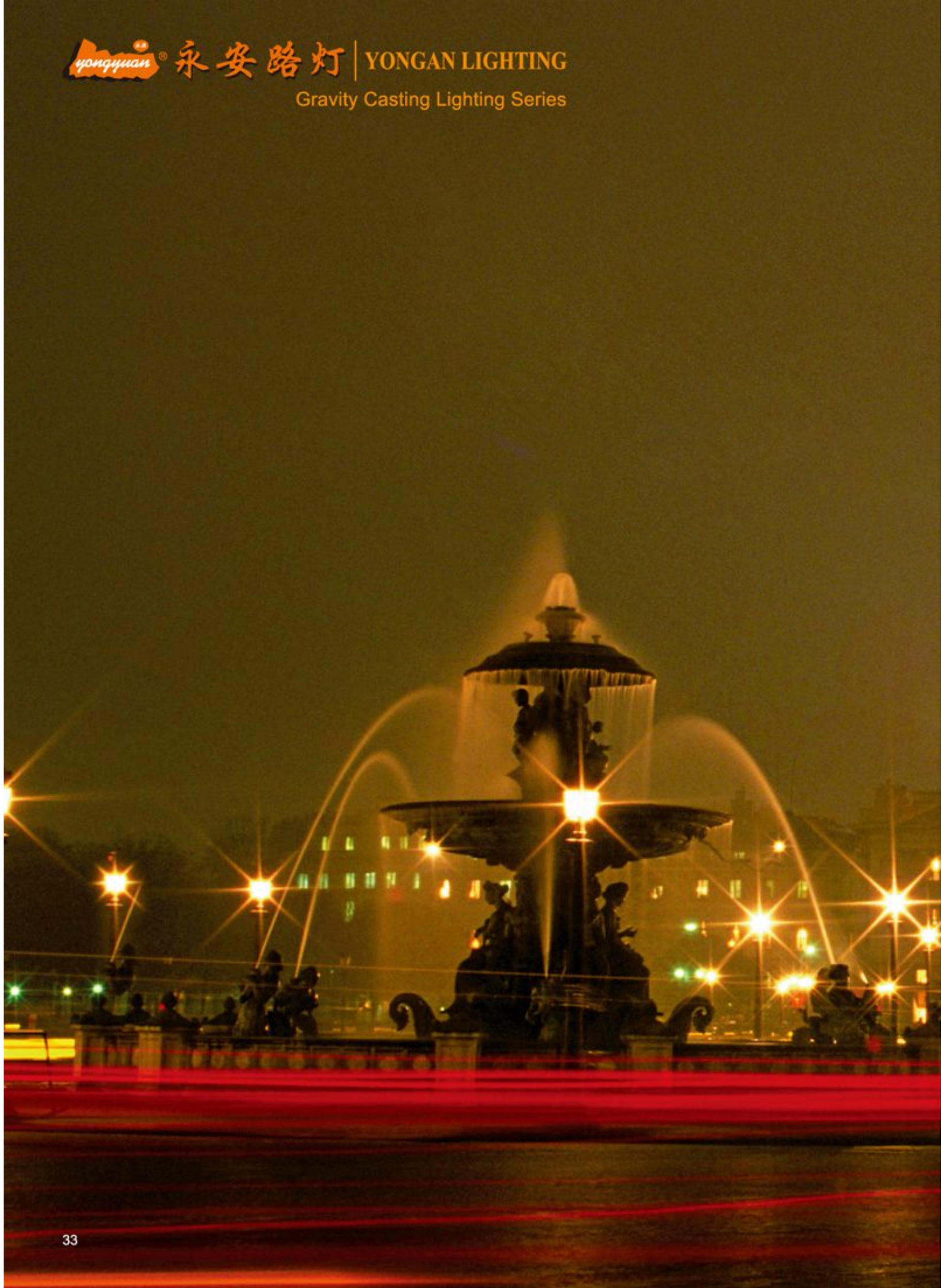
- ◆ Optical Group Protection grade: IP67.
- ◆ Shock Protecting measures falls into I - II category.
- ◆ Powder Source: 220V, 50Hz/60Hz.
- ◆ Suitable Lamp: 70W-150W High Pressure Sodium/Metal Halide Bulb.
- ◆ Lamp holder: E27/E40/G12.
- ◆ Painting: Powder painting.

#### 材料和功能

- ◆ 灯体：高强度铸造铝制品。
- ◆ 反光罩：高纯度铝阳极氧化。
- ◆ 灯罩：高纯度透明PC 材质。
- ◆ 顶盖合页安装，便于维修和保养
- ◆ 根据需要可以对灯具进行吊或顶部安装

#### 技术参数

- ◆ 防护等级：IP67.
- ◆ 电气等级：I 类型/ II 类型
- ◆ 电源：220V, 50Hz/60Hz
- ◆ 适用光源：70W-150W 高压钠灯/金属卤化物光源
- ◆ 灯头：E27/E40/G12
- ◆ 颜色：优质专用户外塑







YAMP-G2013011

#### Material and Features

- ◆ Body: Made with High grade cast aluminum.
- ◆ Inside: Hot dip galvanized iron pole.
- ◆ Optical shade: PC High purity transparent, high transmission of light.
- ◆ Top-lift Cover, easy repair and maintenance
- ◆ Powder Source: 220V, 50Hz/60Hz.
- ◆ Suitable Lamp: 70W-150W High Pressure Sodium/ Metal Halide Bulb.
- ◆ Lamp holder: E27/E40/G12.
- ◆ Painting: Powder painting.
- ◆ Uses: suitable for gardens, square, road, hotels, resorts, clubs and bridge.

#### 材质及特点

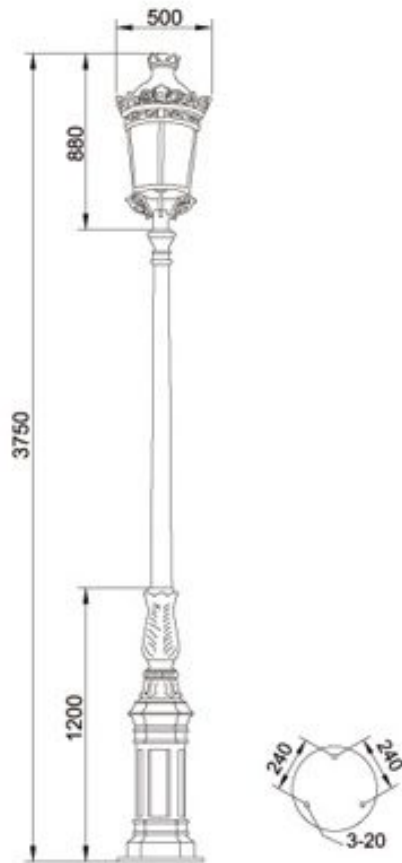
- ◆ 灯体：采用高级铸造铝。
- ◆ 内部：采用内外热镀锌钢管辅助受力。
- ◆ 灯罩：高纯度透明PC 材质。
- ◆ 灯具顶盖合页安装易于安装和维护。
- ◆ 电源：220V，50Hz/60Hz
- ◆ 适用光源：70W-150W高压钠灯/金属卤化物光源
- ◆ 灯头：E27/E40/G12
- ◆ 颜色：优质专用户外塑，根据需求可做不同的颜色。
- ◆ 用途：适合于园林、广场、道路、酒店、度假村、会所及桥梁。



YONGAN LIGHTING



# YONGYUAN LIGHTING



#### Material and Features

- ◆ Body: Made with High grade cast aluminum.
- ◆ Inside: Hot dip galvanized iron pole.
- ◆ Optical shade: PC High purity transparent, high transmission of light.
- ◆ Top-lift Cover, easy repair and maintenance
- ◆ Powder Source: 220V, 50Hz/60Hz.
- ◆ Suitable Lamp: 70W-150W High Pressure Sodium/Metal Halide Bulb.
- ◆ Lamp holder: E27/E40/G12.
- ◆ Painting: Powder painting.
- ◆ Uses: suitable for gardens, square, road, hotels, resorts, clubs and bridge.

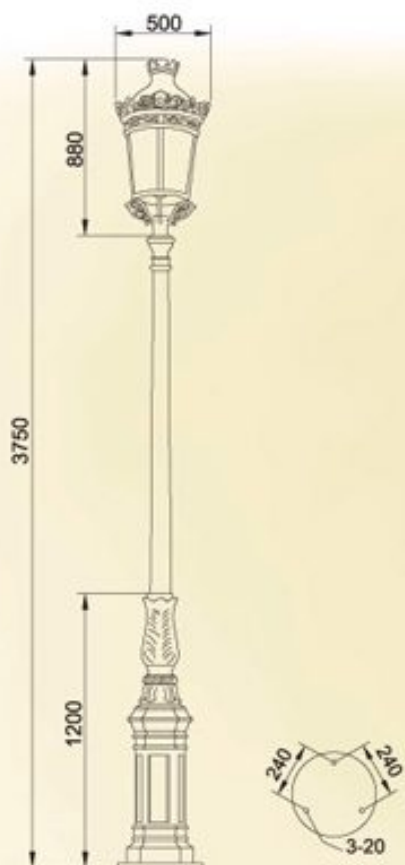
#### 材质及特点

- ◆ 灯体：采用高级铸造铝。
- ◆ 内部：采用内外热镀锌钢管辅助受力。
- ◆ 灯罩：高纯度透明PC 材质。
- ◆ 灯具顶盖合页安装易于安装和维护。
- ◆ 电源：220V，50Hz/60Hz
- ◆ 适用光源：70W-150W高压钠灯/金属卤化物光源
- ◆ 灯头：E27/E40/G12
- ◆ 颜色：优质专用户外塑，根据需求可做不同的颜色。
- ◆ 用途：适合于园林、广场、道路、酒店、度假村、会所及桥梁。

YAMP-G2013012



YAMP-G2013013



**Material and Features**

- ◆ Body: Made with High grade cast aluminum.
- ◆ Inside: Hot dip galvanized iron pole.
- ◆ Optical shade: PC High purity transparent, high transmission of light.
- ◆ Top-lift Cover, easy repair and maintenance
- ◆ Powder Source: 220V, 50Hz/60Hz.
- ◆ Suitable Lamp: 70W-150W High Pressure Sodium/ Metal Halide Bulb.
- ◆ Lamp holder: E27/E40/G12.
- ◆ Painting: Powder painting.
- ◆ Uses: suitable for gardens, square, road, hotels, resorts, clubs and bridge.

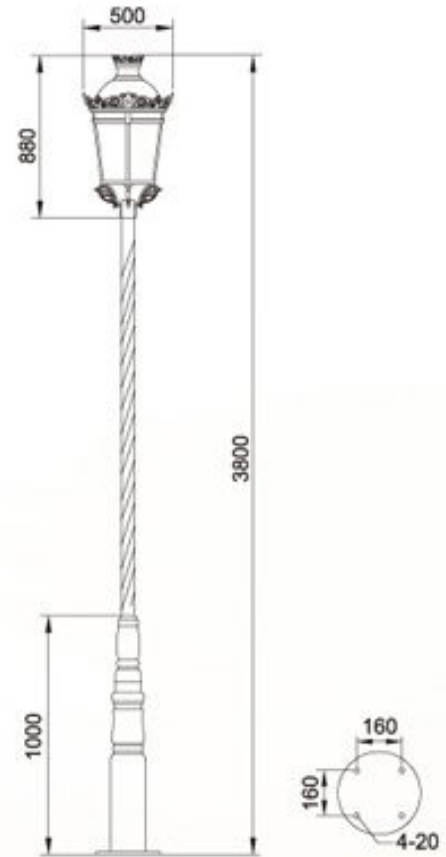
**材质及特点**

- ◆ 灯体：采用高级铸造铝。
- ◆ 内部：采用内外热镀锌钢管辅助受力。
- ◆ 灯罩：高纯度透明PC 材质。
- ◆ 灯具顶盖合页安装易于安装和维护。
- ◆ 电源：220V, 50Hz/60Hz
- ◆ 适用光源：70W-150W高压钠灯/金属卤化物光源
- ◆ 灯头：E27/E40/G12
- ◆ 颜色：优质专用户外塑，根据需求可做不同的颜色。
- ◆ 用途：适合于园林、广场、道路、酒店、度假村、会所及桥梁。

YAMP-G2013013



YAMP-G2013014



**YAMP-G2013014**

**Material and Features**

- ◆ Pole: Hot dip galvanized conical posttop tube.
- ◆ Available in varied sizes and specification.
- ◆ Reflector: High purity anodized aluminum.
- ◆ Optical shade: PC High purity transparent, high transmission of light.
- ◆ Top-lift Cover, easy repair and maintenance.
- ◆ Optical group protection grade: IP67
- ◆ Powder Source: 220V, 50Hz/60Hz.
- ◆ Suitable Lamp: 70W-150W High Pressure Sodium/Metal Halide Bulb.
- ◆ Lamp holder: E27/E40/G12.
- ◆ Painting: Powder painting.
- ◆ Uses: Suitable for gardens, hotels, roads, resorts, clubs and commercial premises

**材质及技术参数**

- ◆ 灯杆: 采用锥形热浸锌管
- ◆ 备有各种尺寸和规格
- ◆ 反光罩: 高纯度铝阳极氧化。
- ◆ 灯罩: 高纯度透明PC 材质。
- ◆ 顶盖合页安装, 便于维修和保养
- ◆ 防护等级: IP67.
- ◆ 电源: 220V, 50Hz/60Hz
- ◆ 适用光源: 70W-150W高压钠灯/金属卤化物光源
- ◆ 灯头: E27/E40/G12
- ◆ 颜色: 优质专用户外型
- ◆ 用途: 适合于园林、酒店、道路, 度假村、会所及商业楼宇