

YONGUAN® 永安路灯 | YONGAN LIGHTING

Gravity Casting Lighting Series





уондунан



YAMP-G2013037

YONGAN LIGHTING

Gravity Casting Lighting Series

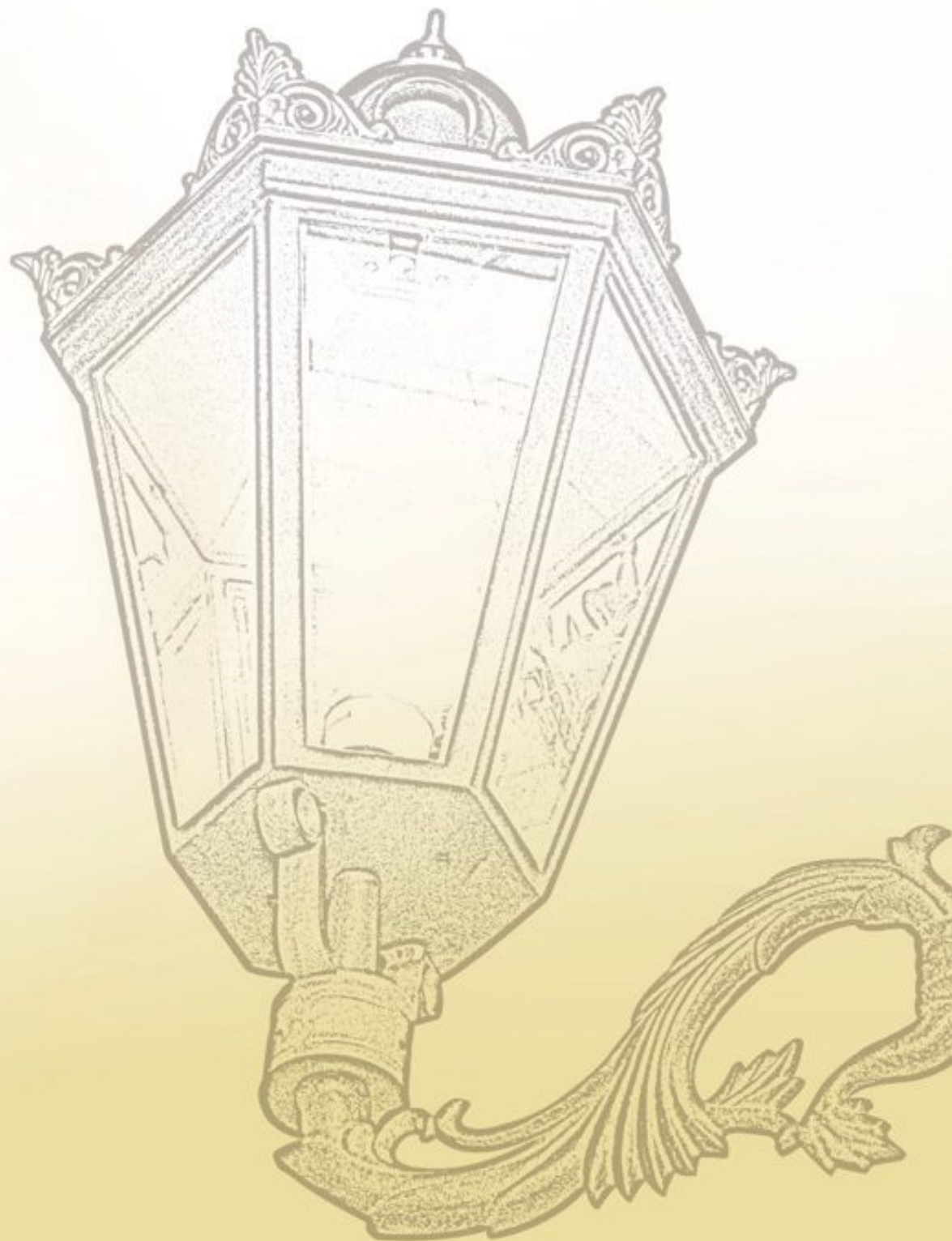
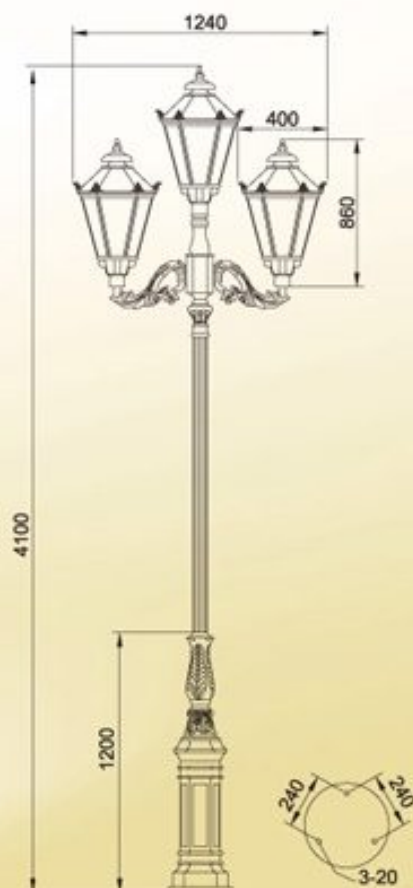
YAMP-G2013037

Material and Features

- ◆ Body: Made with High grade cast aluminum.
- ◆ Inside: Hot dip galvanized iron pole.
- ◆ Optical shade: Glass
- ◆ Powder Source: 220V, 50Hz/60Hz.
- ◆ Suitable Lamp: Energy saving / LED
- ◆ Lamp holder: E27
- ◆ Painting: Powder painting.
- ◆ Uses: suitable for gardens, square, road, hotels, resorts, clubs and bridge.

材质及特点

- ◆ 灯体: 采用高级铸造铝。
- ◆ 内部: 采用内外热镀锌钢管辅助受力。
- ◆ 灯罩: 玻璃材质
- ◆ 电源: 220V, 50Hz/60Hz
- ◆ 适用光源: 节能灯光源 或者 LED灯泡
- ◆ 灯头: E27
- ◆ 颜色: 优质专用户外塑, 根据需求可做不同的颜色。
- ◆ 用途: 适合于园林、广场、道路、酒店、度假村、会所及桥梁。

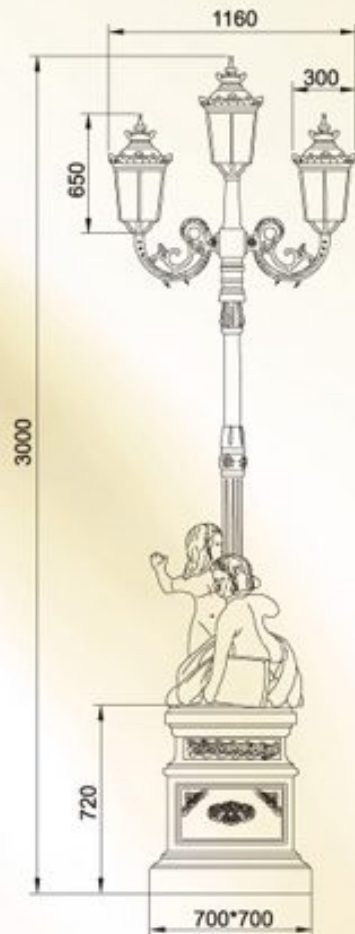




уондунан



YAMP-G2013038



YAMP-G2013038

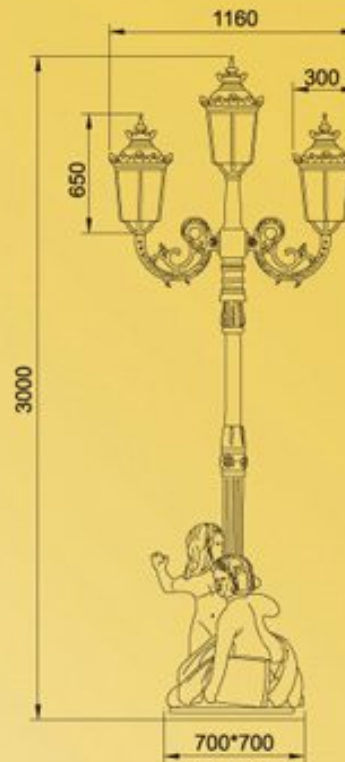
Material and Features

- ◆ Body: Made with High grade cast aluminum.
- ◆ Inside: Hot dip galvanized iron pole.
- ◆ Optical shade: PMMA/glass
- ◆ Powder Source: 220V, 50Hz/60Hz.
- ◆ Suitable Lamp: Energy saving / LED.
- ◆ Lamp holder: E27
- ◆ Painting: Powder painting.
- ◆ Uses: suitable for gardens, square, hotels, resorts, clubs and bridge.

材质及特点

- ◆ 灯体：采用高级铸造铝。
- ◆ 内部：采用内外热镀锌钢管辅助受力。
- ◆ 灯罩：亚克力材质或者玻璃材质
- ◆ 电源：220V，50Hz/60Hz
- ◆ 适用光源：节能灯光源 或者LED灯泡
- ◆ 灯头：E27
- ◆ 颜色：优质专用户外塑，根据需求可做不同的颜色。
- ◆ 用途：适合于园林、广场、酒店、度假村、会所及桥梁。





Material and Features

- ◆ Body: Made with High grade cast aluminum.
- ◆ Inside: Hot dip galvanized iron pole.
- ◆ Optical shade: PMMA/glass
- ◆ Powder Source: 220V, 50Hz/60Hz.
- ◆ Suitable Lamp: Energy saving / LED.
- ◆ Lamp holder: E27
- ◆ Painting: Powder painting.
- ◆ Uses: suitable for gardens, square, hotels, resorts, clubs and bridge.

材质及特点

- ◆ 灯体：采用高级铸造铝。
- ◆ 内部：采用内外热镀锌钢管辅助受力。
- ◆ 灯罩：亚克力材质或者玻璃材质
- ◆ 电源：220V, 50Hz/60Hz
- ◆ 适用光源：节能灯光源 或者LED灯泡
- ◆ 灯头：E27
- ◆ 颜色：优质专用户外型，根据需求可做不同的颜色。
- ◆ 用途：适合于园林、广场、酒店、度假村、会所及桥梁。

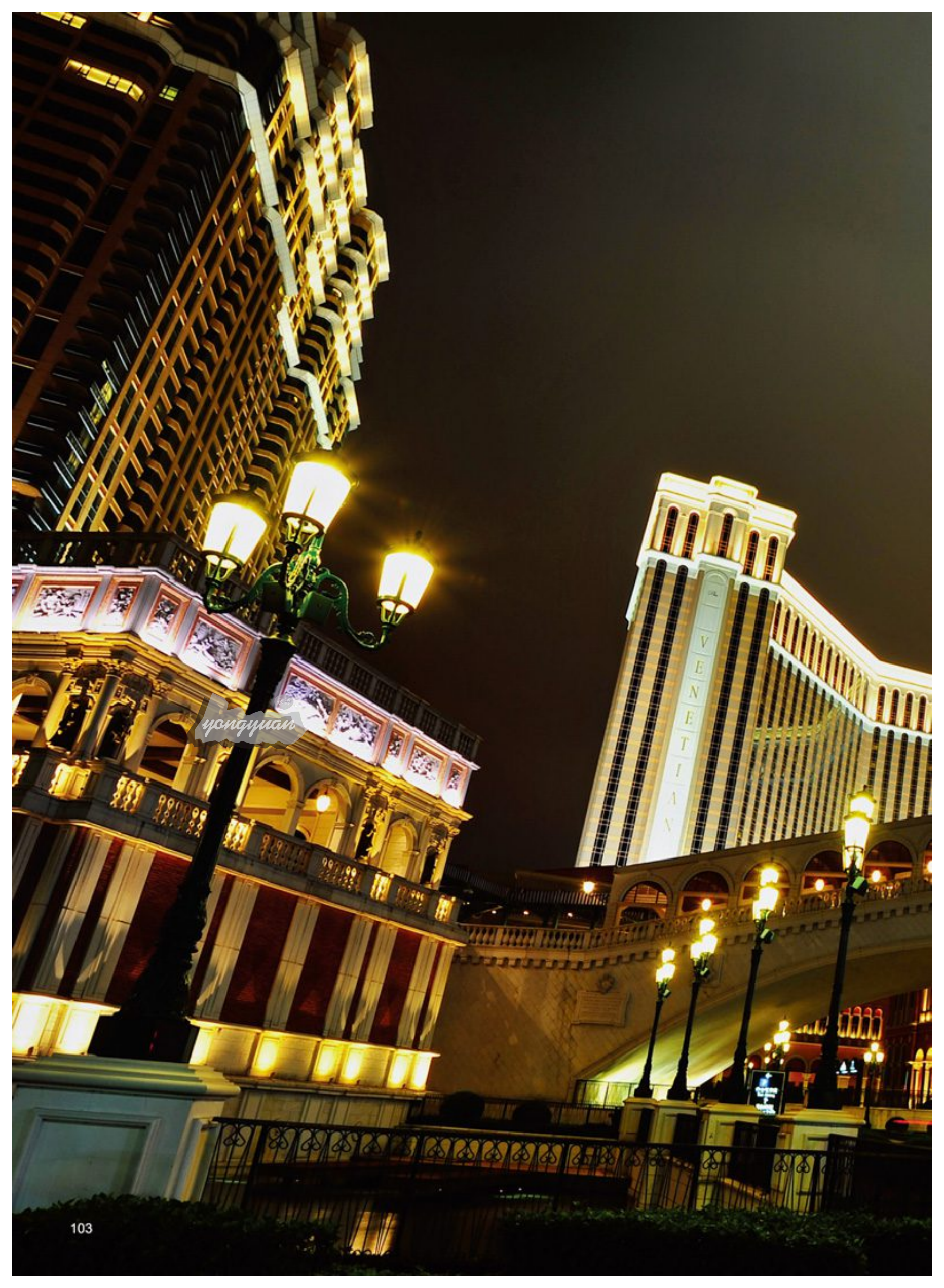
YAMP-G2013039

YAMP-G2013039

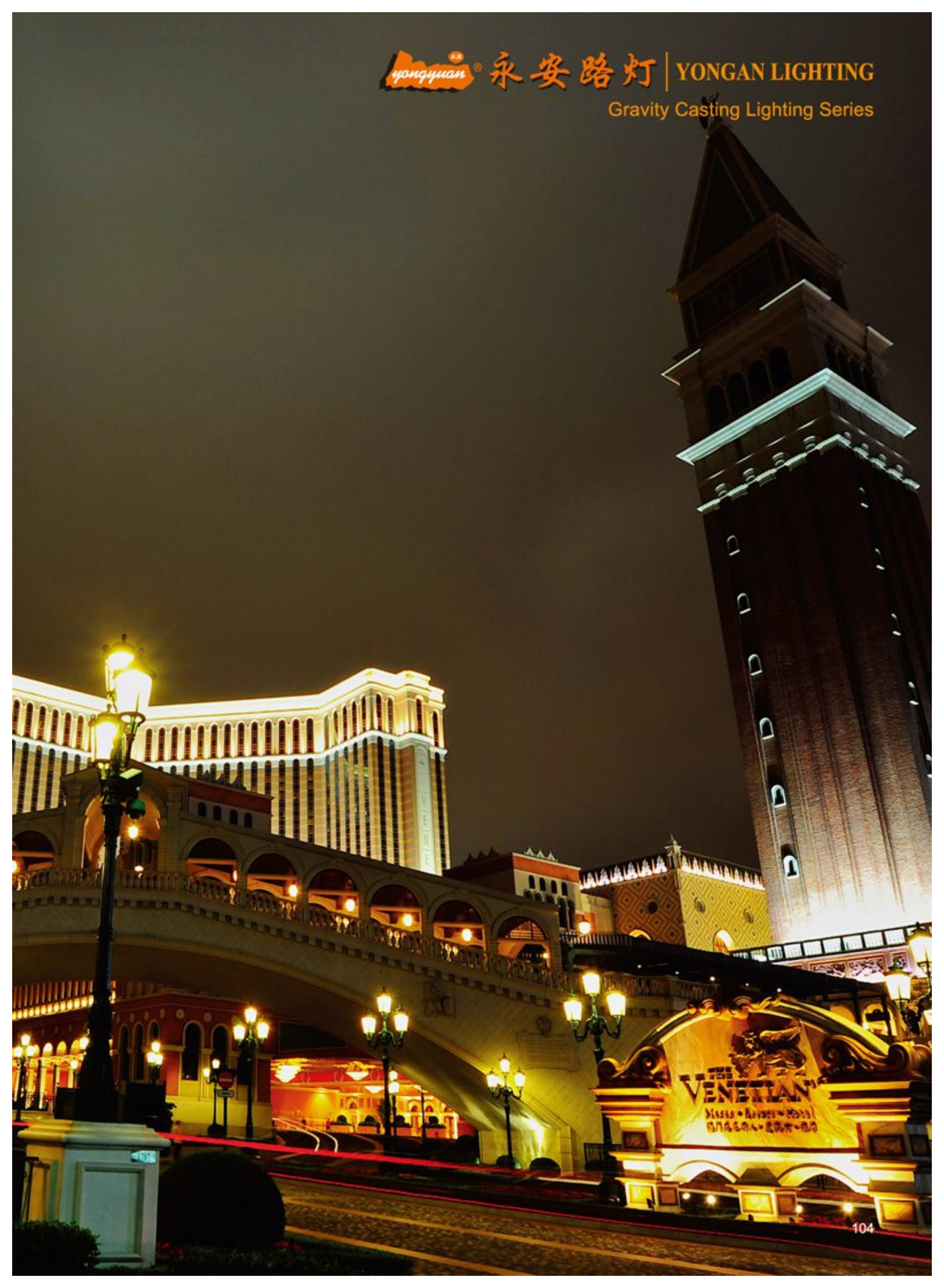






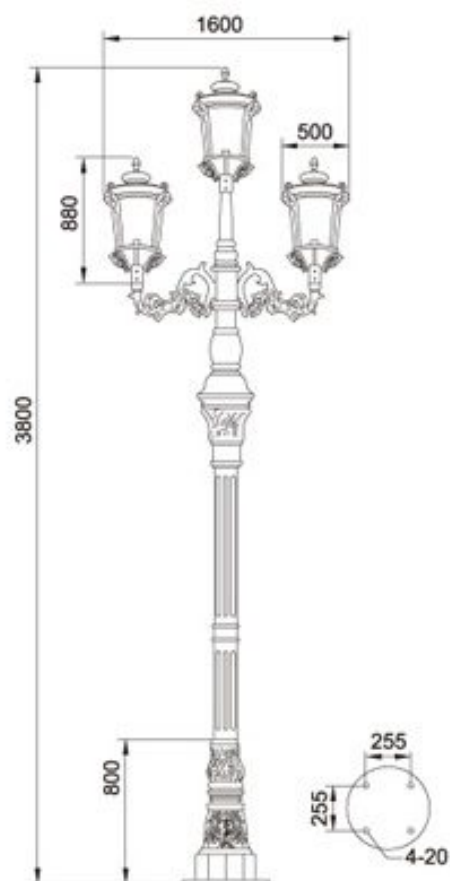


уондунан





YAMP-G2013040



Material and Features

- ◆ Body: Made with High grade cast aluminum.
- ◆ Inside: Hot dip galvanized iron pole.
- ◆ Optical shade: PC High purity transparent, high transmission of light.
- ◆ Powder Source: 220V, 50Hz/60Hz.
- ◆ Suitable Lamp: 70W-150W High Pressure Sodium/Metal Halide Bulb/Energy saving.
- ◆ Lamp holder: E27/E40/G12.
- ◆ Painting: Powder painting.
- ◆ Uses: suitable for gardens, square, road, hotels, resorts, clubs and bridge.

材质及特点

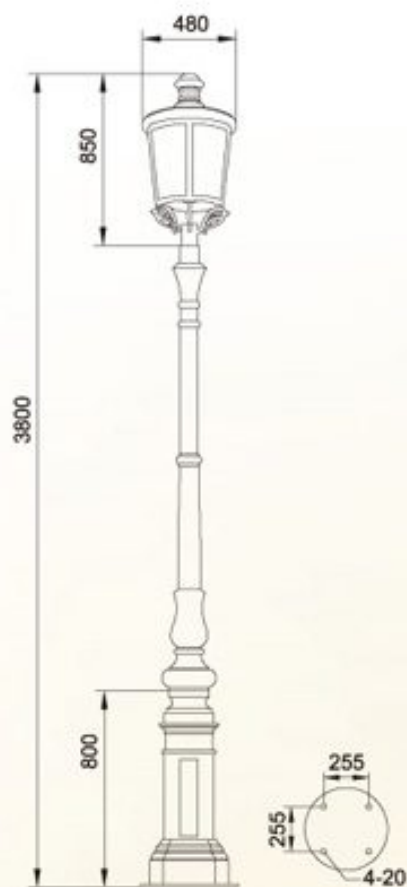
- ◆ 灯体：采用高级铸造铝。
- ◆ 内部：采用内外热镀锌钢管辅助受力。
- ◆ 灯罩：高纯度透明PC 材质。
- ◆ 电源：220V，50Hz/60Hz
- ◆ 适用光源：70W-150W高压钠灯/金属卤化物光源或者节能灯光源。
- ◆ 灯头：E27/E40/G12
- ◆ 颜色：优质专用户外塑，根据需求可做不同的颜色。
- ◆ 用途：适合于园林、广场、道路、酒店、度假村、会所及桥梁。

YAMP-G2013040



永源

YONGYUAN



Material and Features

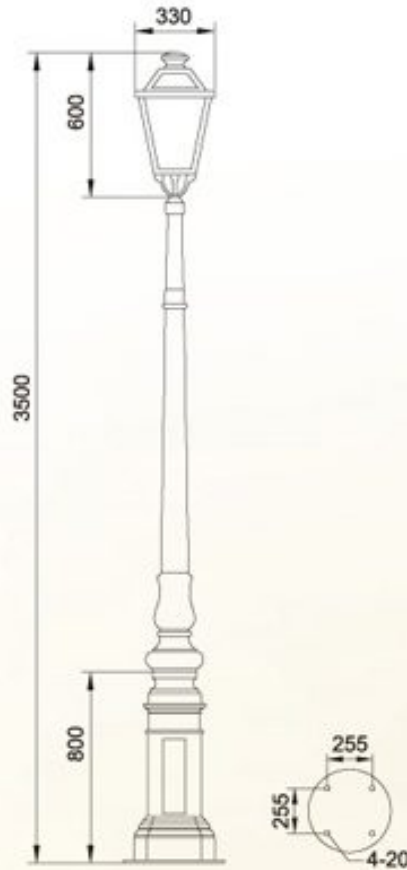
- ◆ Body: Made with High grade cast aluminum.
- ◆ Inside: Hot dip galvanized iron pole.
- ◆ Optical shade: PC High purity transparent, high transmission of light.
- ◆ Powder Source: 220V, 50Hz/60Hz.
- ◆ Suitable Lamp: 70W-150W High Pressure Sodium/Metal Halide Bulb/Energy saving.
- ◆ Lamp holder: E27/E40/G12.
- ◆ Painting: Powder painting.
- ◆ Uses: suitable for gardens, square, road, hotels, resorts, clubs and bridge.

材质及特点

- ◆ 灯体：采用高级铸造铝。
- ◆ 内部：采用内外热镀锌钢管辅助受力。
- ◆ 灯罩：高纯度透明PC 材质。
- ◆ 电源：220V，50Hz/60Hz
- ◆ 适用光源：70W-150W高压钠灯/金属卤化物光源或者节能灯光源。
- ◆ 灯头：E27/E40/G12
- ◆ 颜色：优质专用户外塑，根据需求可做不同的颜色。
- ◆ 用途：适合于园林、广场、道路、酒店、度假村、会所及桥梁。

YAMP-G2013041





Material and Features

- ◆ Body: Made with High grade cast aluminum.
- ◆ Inside: Hot dip galvanized iron pole.
- ◆ Optical shade: Glass / PMMA
- ◆ Powder Source: 220V, 50Hz/60Hz.
- ◆ Suitable Lamp: Energy saving / LED/ 70W High Pressure Sodium/Metal Halide Bulb.
- ◆ Lamp holder: E27
- ◆ Painting: Powder painting.
- ◆ Uses: suitable for gardens, square, road, hotels, resorts, clubs and bridge.

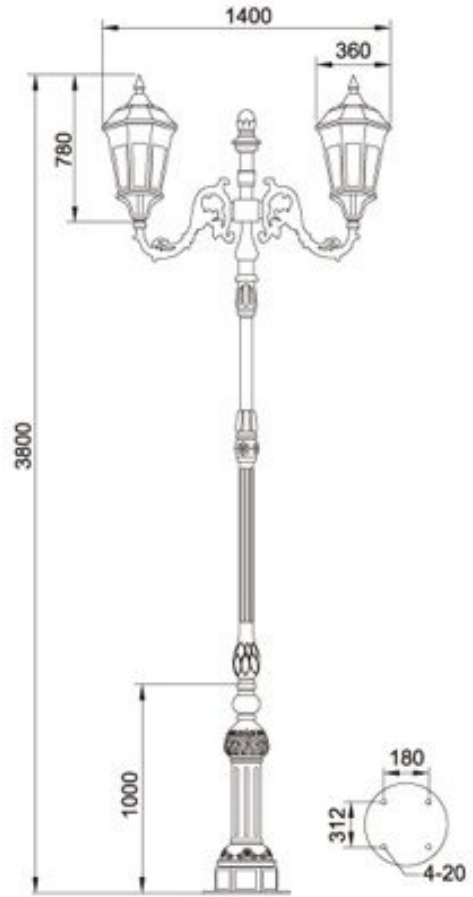
材质及特点

- ◆ 灯体：采用高级铸造铝。
- ◆ 内部：采用内外热镀锌钢管辅助受力。
- ◆ 灯罩：玻璃材质或者亚克力材质
- ◆ 电源：220V, 50Hz/60Hz
- ◆ 适用光源：节能灯光源，LED灯泡，70W高压钠灯或者金属卤化物灯泡
- ◆ 灯头：E27
- ◆ 颜色：优质专用户外塑，根据需求可做不同的颜色。
- ◆ 用途：适合于园林、广场、道路、酒店、度假村、会所及桥梁。

YAMP-G2013042



YAMP-G2013043

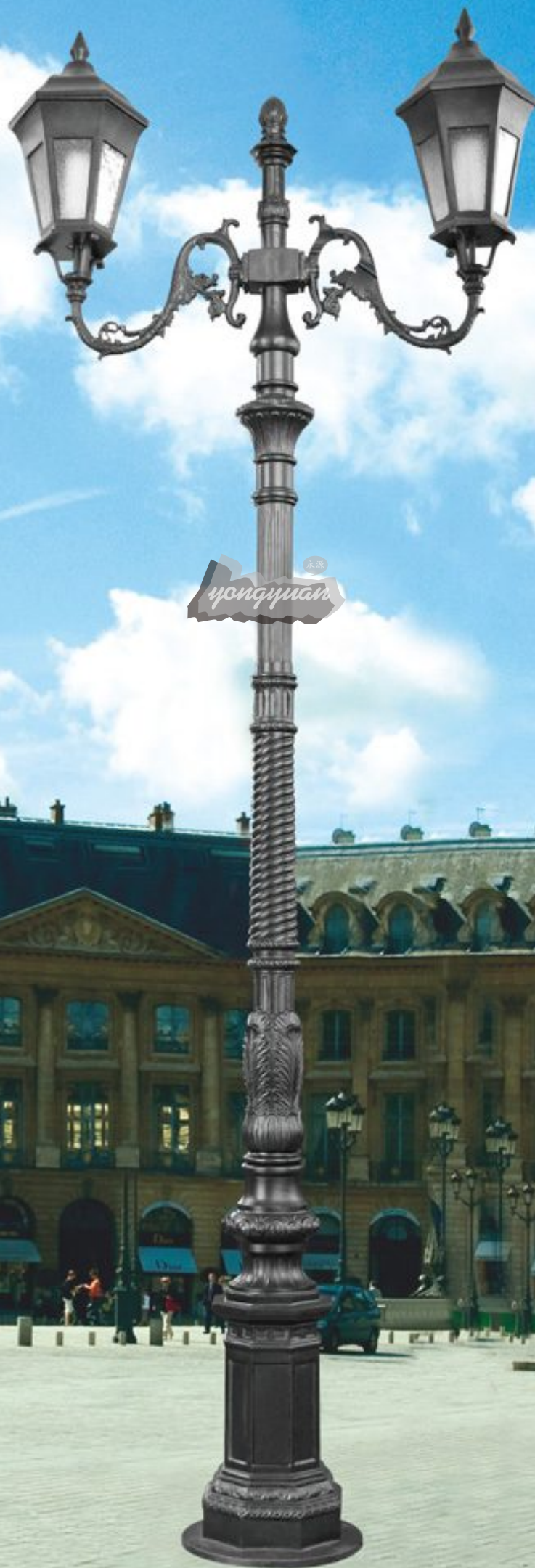


Material and Features

- ◆ Body: Made with High grade cast aluminum.
- ◆ Inside: Hot dip galvanized iron pole.
- ◆ Optical shade: Glass
- ◆ Powder Source: 220V, 50Hz/60Hz.
- ◆ Suitable Lamp: Energy saving / LED/ 70W High Pressure Sodium/Metal Halide Bulb.
- ◆ Lamp holder: E27
- ◆ Painting: Powder painting.
- ◆ Uses: suitable for gardens, square, road, hotels, resorts, clubs and bridge.

材质及特点

- ◆ 灯体：采用高级铸造铝。
- ◆ 内部：采用内外热镀锌钢管辅助受力。
- ◆ 灯罩：玻璃材质
- ◆ 电源：220V，50Hz/60Hz
- ◆ 适用光源：节能灯光源，LED灯泡，70W高压钠灯或者金属卤化物灯泡
- ◆ 灯头：E27
- ◆ 颜色：优质专用户外塑，根据需求可做不同的颜色。
- ◆ 用途：适合于园林、广场、道路、酒店、度假村、会所及桥梁。



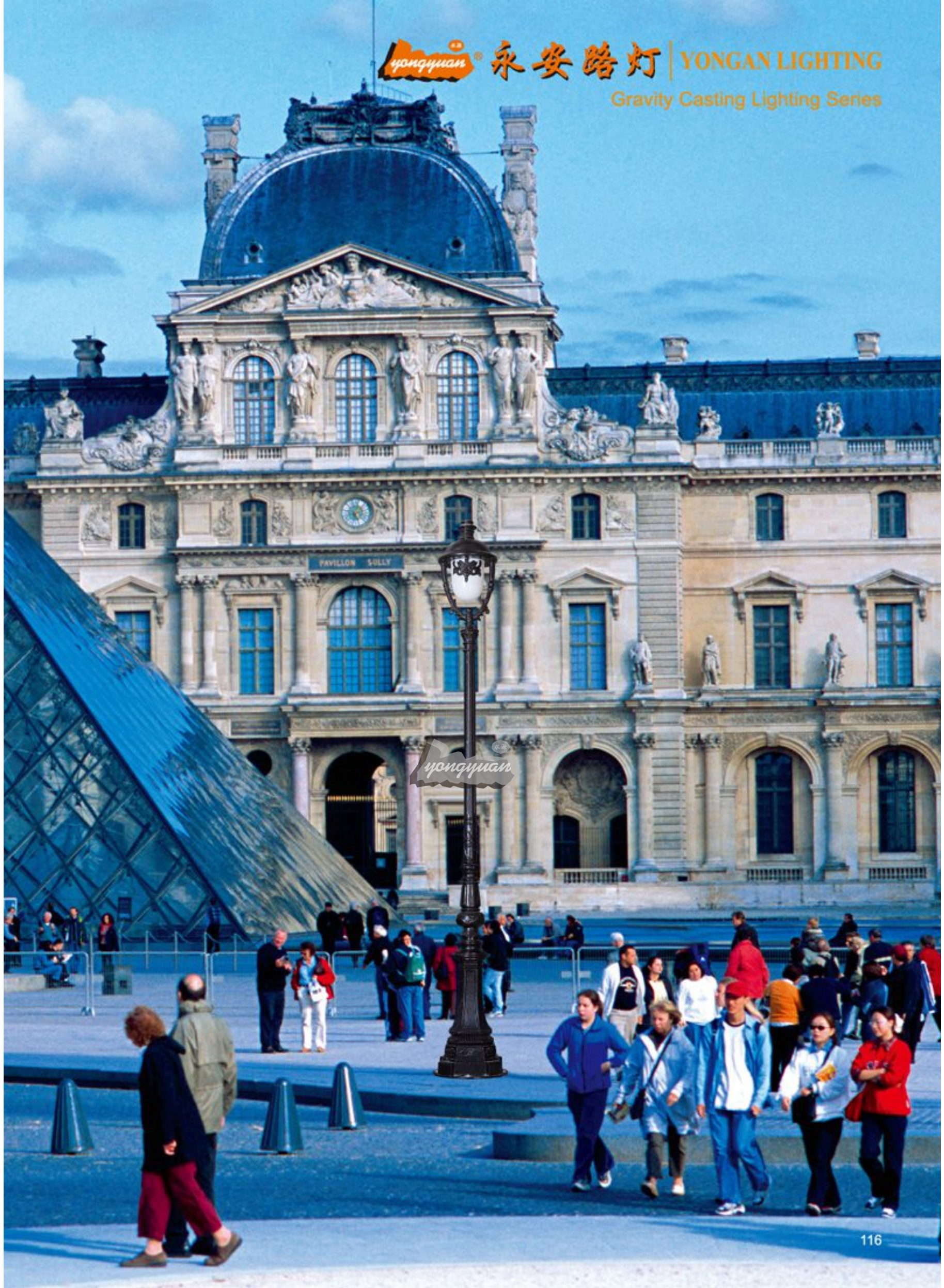


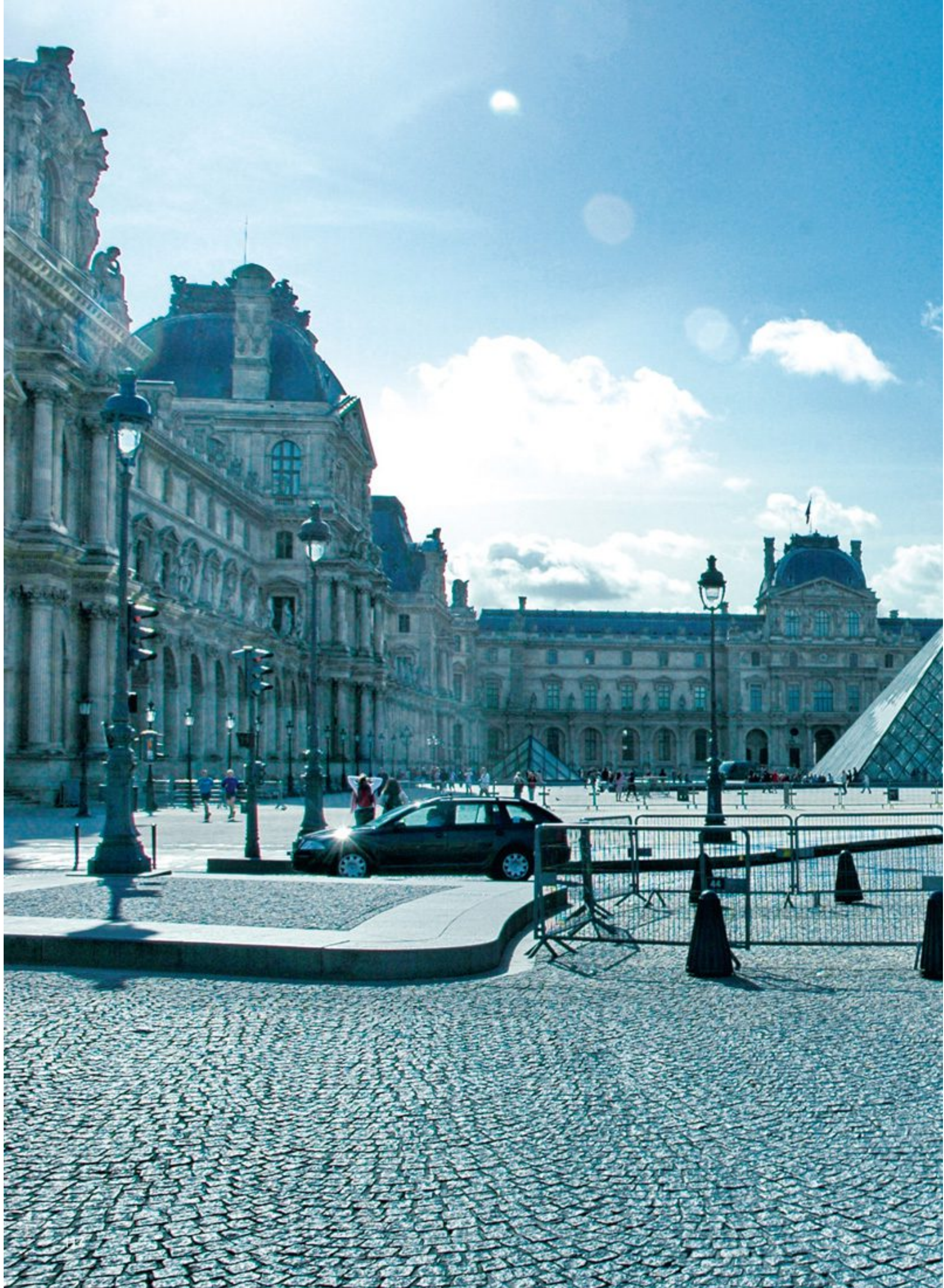




YONGAN 永安路灯 | YONGAN LIGHTING

Gravity Casting Lighting Series





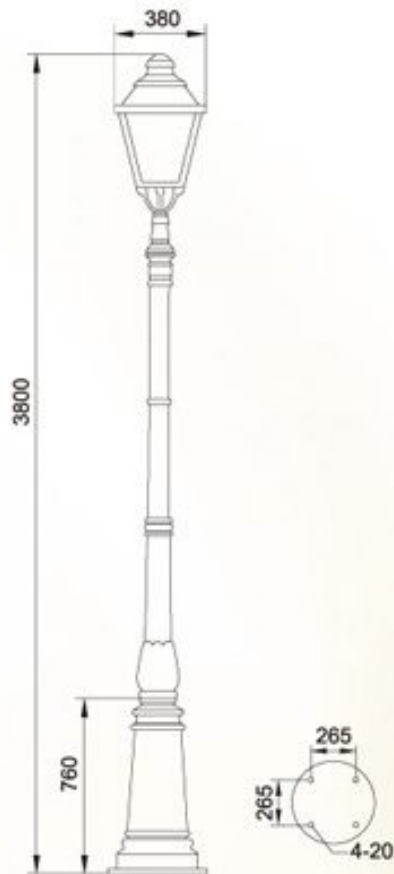


YONGAN 永安



YONGAN LIGHTING

Gravity Casting Lighting Series



Material and Features

- ◆ Body: Made with High grade cast aluminum.
- ◆ Inside: Hot dip galvanized iron pole.
- ◆ Optical shade: PMMA/Glass
- ◆ Powder Source: 220V, 50Hz/60Hz.
- ◆ Suitable Lamp: Energy saving / LED.
- ◆ Lamp holder: E27
- ◆ Painting: Powder painting.
- ◆ Uses: suitable for gardens, square, road, hotels, resorts, clubs and bridge.

材质及特点

- ◆ 灯体：采用高级铸造铝。
- ◆ 内部：采用内外热镀锌钢管辅助受力。
- ◆ 灯罩：亚克力材质或者玻璃材质
- ◆ 电源：220V，50Hz/60Hz
- ◆ 适用光源：节能灯光源 或者LED灯泡
- ◆ 灯头：E27
- ◆ 颜色：优质专用户外塑，根据需求可做不同的颜色。
- ◆ 用途：适合于园林、广场、道路、酒店、度假村、会所及桥梁。



YAMP-G2013045



永源
yongyuan

Material and Features

- ◆ Body: Made with High grade cast aluminum.
- ◆ Inside: Hot dip galvanized iron pole.
- ◆ Optical shade: Glass
- ◆ Powder Source: 220V, 50Hz/60Hz.
- ◆ Suitable Lamp: Energy saving / LED.
- ◆ Lamp holder: E27
- ◆ Painting: Powder painting.
- ◆ Uses: suitable for gardens, square, hotels, resorts, clubs and bridge.

材质及特点

- ◆ 灯体：采用高级铸造铝。
- ◆ 内部：采用内外热镀锌钢管辅助受力。
- ◆ 灯罩：玻璃材质
- ◆ 电源：220V，50Hz/60Hz
- ◆ 适用光源：节能灯光源 或者LED灯泡
- ◆ 灯头：E27
- ◆ 颜色：优质专用户外塑，根据需求可做不同的颜色。
- ◆ 用途：适合于园林、广场、酒店、度假村、会所及桥梁。

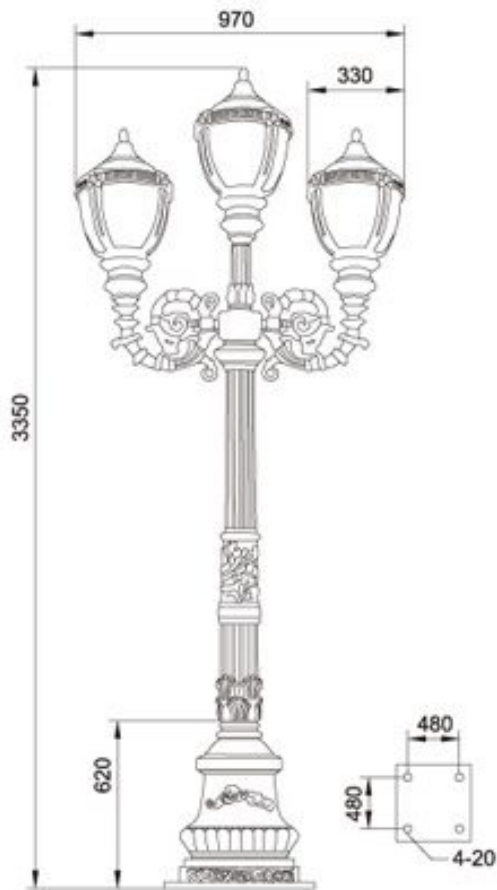


YAMP-G2013046

YONGAN LIGHTING



永源
YONGYUAN



Material and Features

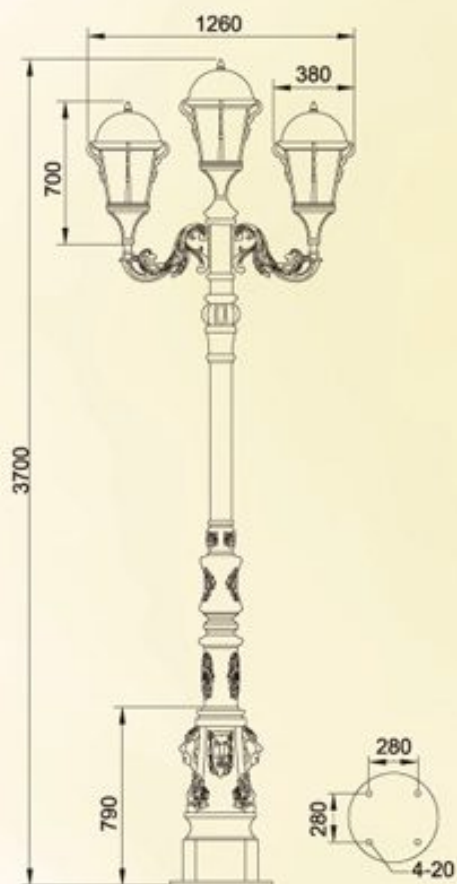
- ◆ Body: Made with High grade cast aluminum.
- ◆ Inside: Hot dip galvanized iron pole.
- ◆ Optical shade: PMMA
- ◆ Powder Source: 220V, 50Hz/60Hz.
- ◆ Suitable Lamp: Energy saving / LED.
- ◆ Lamp holder: E27
- ◆ Painting: Powder painting.
- ◆ Uses: suitable for gardens, square, hotels, resorts, clubs and bridge.

材质及特点

- ◆ 灯体：采用高级铸造铝。
- ◆ 内部：采用内外热镀锌钢管辅助受力。
- ◆ 灯罩：亚克力材质
- ◆ 电源：220V, 50Hz/60Hz
- ◆ 适用光源：节能灯光源 或者LED灯泡
- ◆ 灯头：E27
- ◆ 颜色：优质专用户外塑，根据需求可做不同的颜色。
- ◆ 用途：适合于园林、广场、酒店、度假村、会所及桥梁。

YAMP-G2013047





Material and Features

- ◆ Body: Made with High grade cast aluminum.
- ◆ Inside: Hot dip galvanized iron pole.
- ◆ Optical shade: PMMA/glass
- ◆ Powder Source: 220V, 50Hz/60Hz.
- ◆ Suitable Lamp: Energy saving / LED.
- ◆ Lamp holder: E27
- ◆ Painting: Powder painting.
- ◆ Uses: suitable for gardens, square, road, hotels, resorts, clubs and bridge.

材质及特点

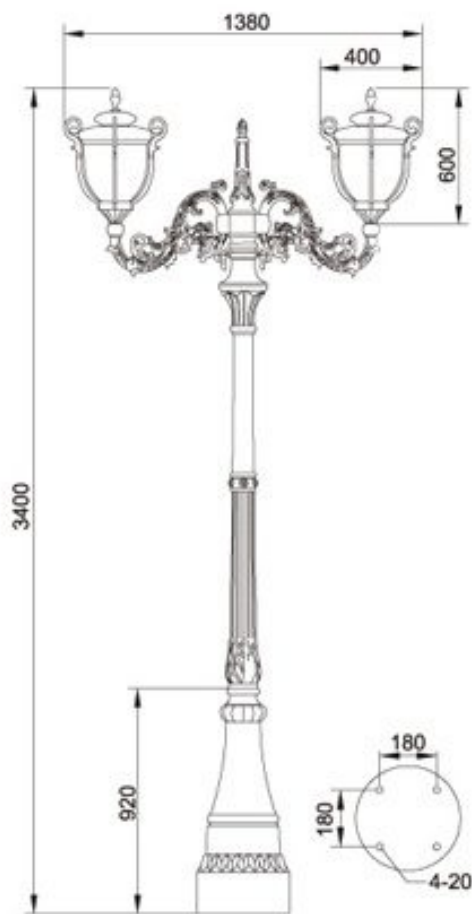
- ◆ 灯体：采用高级铸造铝。
- ◆ 内部：采用内外热镀锌钢管辅助受力。
- ◆ 灯罩：亚克力材质或者玻璃材质
- ◆ 电源：220V，50Hz/60Hz
- ◆ 适用光源：节能灯光源 或者LED灯泡
- ◆ 灯头：E27
- ◆ 颜色：优质专用户外型，根据需求可做不同的颜色。
- ◆ 用途：适合于园林、广场、道路、酒店、度假村、会所及桥梁。

YAMP-G2013048



永源
YONGYUAN

YAMP-G2013049



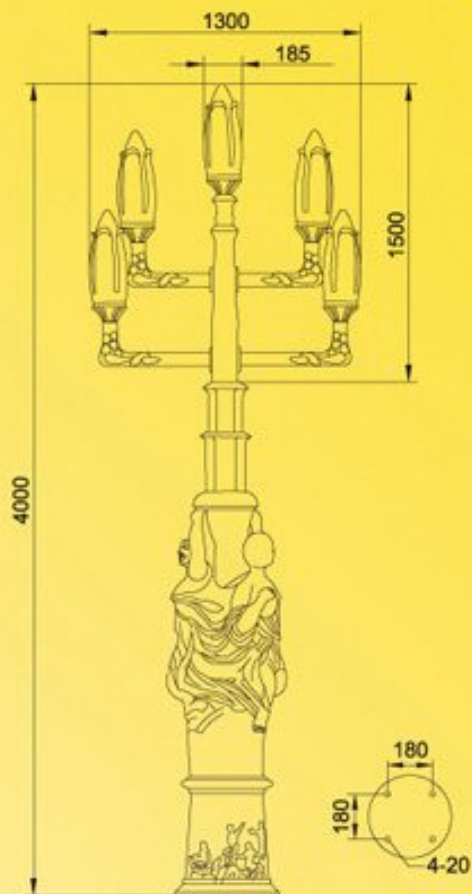
Material and Features

- ◆ Body: Made with High grade cast aluminum.
- ◆ Inside: Hot dip galvanized iron pole.
- ◆ Optical shade: Glass
- ◆ Powder Source: 220V, 50Hz/60Hz.
- ◆ Suitable Lamp: Energy saving / LED/ 70W High Pressure Sodium/Metal Halide Bulb.
- ◆ Lamp holder: E27
- ◆ Painting: Powder painting.
- ◆ Uses: suitable for gardens, square, road, hotels, resorts, clubs and bridge.

材质及特点

- ◆ 灯体：采用高级铸造铝。
- ◆ 内部：采用内外热镀锌钢管辅助受力。
- ◆ 灯罩：玻璃材质
- ◆ 电源：220V，50Hz/60Hz
- ◆ 适用光源：节能灯光源，LED灯泡，70W高压钠灯或者金属卤化物灯泡
- ◆ 灯头：E27
- ◆ 颜色：优质专用户外塑，根据需求可做不同的颜色。
- ◆ 用途：适合于园林、广场、道路、酒店、度假村、会所及桥梁。

YAMP-G2013049



Material and Features

- ◆ Body: Made with High grade cast aluminum.
- ◆ Inside: Hot dip galvanized iron pole.
- ◆ Optical shade: PMMA
- ◆ Powder Source: 220V, 50Hz/60Hz.
- ◆ Suitable Lamp: Energy saving / LED.
- ◆ Lamp holder: E27
- ◆ Painting: Powder painting.
- ◆ Uses: suitable for gardens, square, road, hotels, resorts, clubs and bridge.

材质及特点

- ◆ 灯体：采用高级铸造铝。
- ◆ 内部：采用内外热镀锌钢管辅助受力。
- ◆ 灯罩：亚克力材质
- ◆ 电源：220V，50Hz/60Hz
- ◆ 适用光源：节能灯光源 或者LED灯泡
- ◆ 灯头：E27
- ◆ 颜色：优质专用户外型，根据需求可做不同的颜色。
- ◆ 用途：适合于园林、广场、道路、酒店、度假村、会所及桥梁。

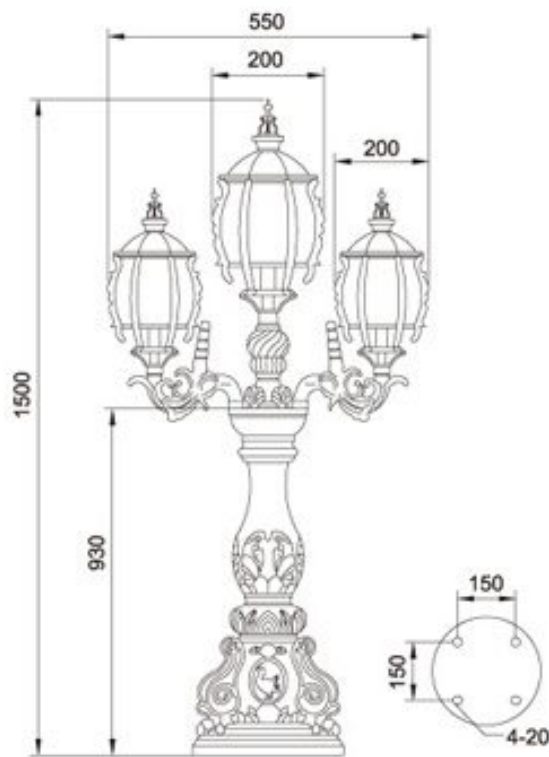
YAMP-G2013050





永源

YONGYUAN



YAMP-G2013051

Material and Features

- ◆ Body: Made with High grade cast aluminum.
- ◆ Inside: Hot dip galvanized iron pole.
- ◆ Optical shade: Glass
- ◆ Powder Source: 220V, 50Hz/60Hz.
- ◆ Suitable Lamp: Energy saving / LED.
- ◆ Lamp holder: E27
- ◆ Painting: Powder painting.
- ◆ Uses: suitable for gardens, square, hotels, resorts, clubs and bridge.

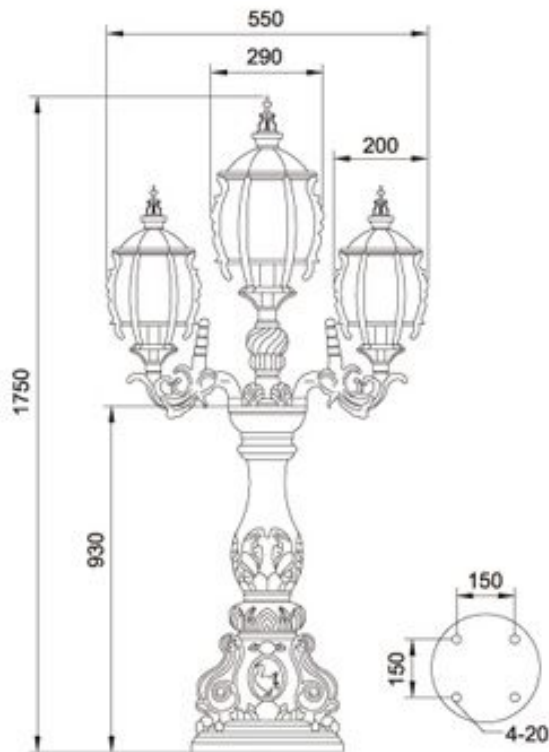
材质及特点

- ◆ 灯体：采用高级铸造铝。
- ◆ 内部：采用内外热镀锌钢管辅助受力。
- ◆ 灯罩：玻璃材质
- ◆ 电源：220V, 50Hz/60Hz
- ◆ 适用光源：节能灯光源 或者LED灯泡
- ◆ 灯头：E27
- ◆ 颜色：优质专用户外塑，根据需求可做不同的颜色。
- ◆ 用途：适合于园林、广场、酒店、度假村、会所及桥梁。



永源
yongyuan

YONGGAN LIGHTING



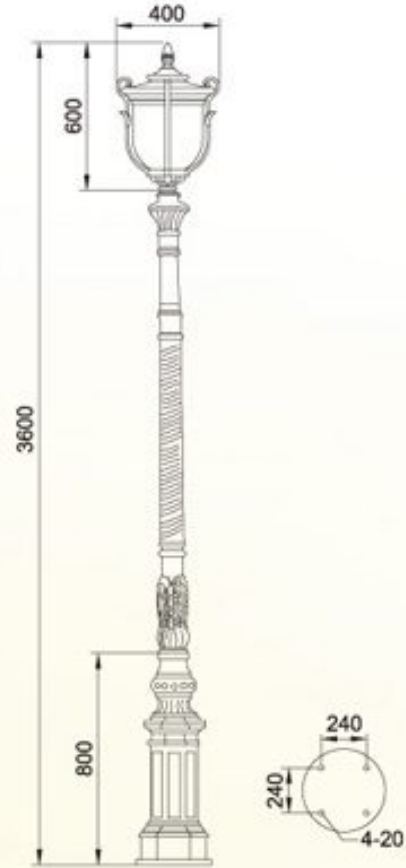
Material and Features

- ◆ Body: Made with High grade cast aluminum.
- ◆ Inside: Hot dip galvanized iron pole.
- ◆ Optical shade: Glass
- ◆ Powder Source: 220V, 50Hz/60Hz.
- ◆ Suitable Lamp: Energy saving / LED.
- ◆ Lamp holder: E27
- ◆ Painting: Powder painting.
- ◆ Uses: suitable for gardens, square, hotels, resorts, clubs and bridge.

材质及特点

- ◆ 灯体：采用高级铸造铝。
- ◆ 内部：采用内外热镀锌钢管辅助受力。
- ◆ 灯罩：玻璃材质
- ◆ 电源：220V，50Hz/60Hz
- ◆ 适用光源：节能灯光源 或者LED灯泡
- ◆ 灯头：E27
- ◆ 颜色：优质专用户外塑，根据需求可做不同的颜色。
- ◆ 用途：适合于园林、广场、酒店、度假村、会所及桥梁。

YAMP-G2013052



Material and Features

- ◆ Body: Made with High grade cast aluminum.
- ◆ Inside: Hot dip galvanized iron pole.
- ◆ Optical shade: Glass
- ◆ Powder Source: 220V, 50Hz/60Hz.
- ◆ Suitable Lamp: Energy saving / LED/ 70W High Pressure Sodium/Metal Halide Bulb.
- ◆ Lamp holder: E27
- ◆ Painting: Powder painting.
- ◆ Uses: suitable for gardens, square, road, hotels, resorts, clubs and bridge.

材质及特点

- ◆ 灯体：采用高级铸造铝。
- ◆ 内部：采用内外热镀锌钢管辅助受力。
- ◆ 灯罩：玻璃材质
- ◆ 电源：220V，50Hz/60Hz
- ◆ 适用光源：节能灯光源，LED灯泡，70W高压钠灯或者金属卤化物灯泡
- ◆ 灯头：E27
- ◆ 颜色：优质专用户外塑，根据需求可做不同的颜色。
- ◆ 用途：适合于园林、广场、道路、酒店、度假村、会所及桥梁。

YAMP-G2013053

YONGAN LIGHTING

Gravity Casting Lighting Series





YAMP-G2013054



Material and Features

- ◆ Body: High quality stainless steel.
- ◆ Optical shade: Artificial marble.
- ◆ Powder Source: 220V, 50Hz/60Hz.
- ◆ Suitable Lamp: T4 / T5
- ◆ Lamp holder: E27
- ◆ Painting: Powder painting.
- ◆ Uses: suitable for gardens, square, hotels, resorts, clubs and bridge.

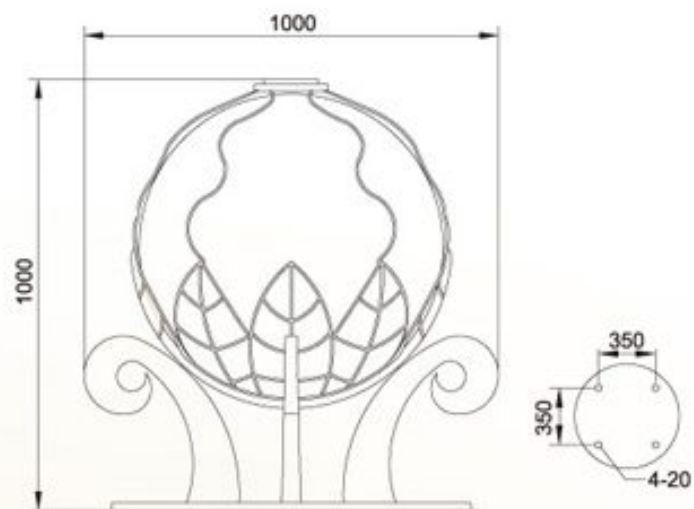
材质及特点

- ◆ 灯体：采用优质不锈钢材质。
- ◆ 灯罩：仿云石灯罩
- ◆ 电源：220V，50Hz/60Hz
- ◆ 适用光源：T4 或者 T5 光源
- ◆ 灯头：E27
- ◆ 颜色：优质专用户外塑，根据需求可做不同的颜色。
- ◆ 用途：适合于园林、广场、酒店、度假村、会所及桥梁。

YAMP-G2013054



YAMP-G2013055



Material and Features

- ◆ Body: High quality stainless steel.
- ◆ Optical shade: Artificial marble.
- ◆ Powder Source: 220V, 50Hz/60Hz.
- ◆ Suitable Lamp: 70W-150W High Pressure Sodium/Metal Halide Bulb.
- ◆ Lamp holder: E27/E40/G12.
- ◆ Painting: Powder painting.
- ◆ Uses: suitable for gardens, square, hotels, resorts, clubs and bridge.

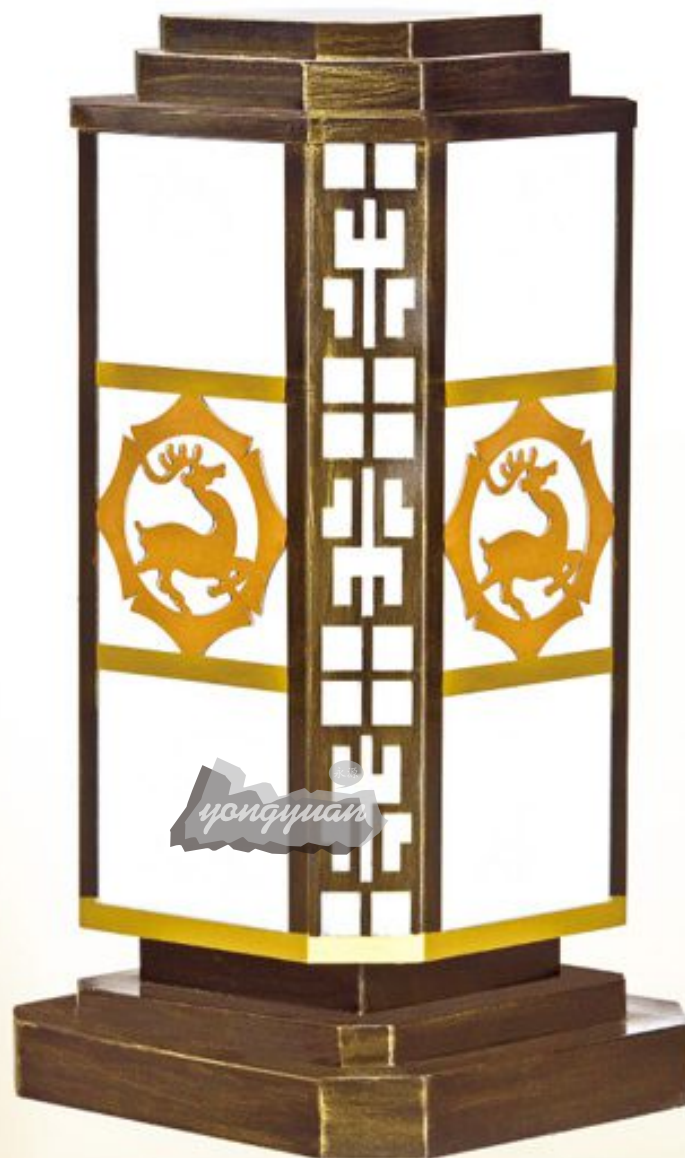
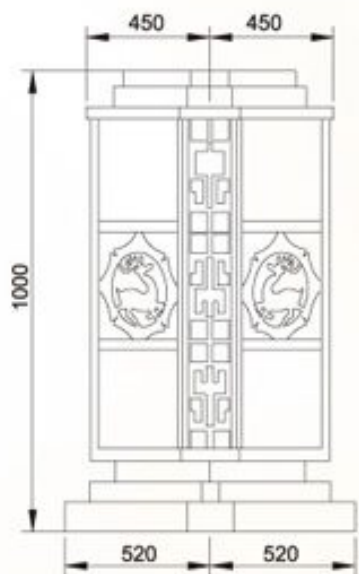
材质及特点

- ◆ 灯体：采用优质不锈钢材质。
- ◆ 灯罩：仿云石灯罩
- ◆ 电源：220V, 50Hz/60Hz
- ◆ 适用光源：70W-150W高压钠灯/金属卤化物光源
- ◆ 灯头：E27/E40/G12
- ◆ 颜色：优质专用户外型，根据需求可做不同的颜色。
- ◆ 用途：适合于园林、广场、酒店、度假村、会所及桥梁。



YONGAN LIGHTING

Gravity Casting Lighting Series



YAMP-G2013056

Material and Features

- ◆ Body: High quality stainless steel.
- ◆ Optical shade: Artificial marble.
- ◆ Powder Source: 220V, 50Hz/60Hz.
- ◆ Suitable Lamp: T4 / T5
- ◆ Lamp holder: E27
- ◆ Painting: Powder painting.
- ◆ Uses: suitable for gardens, square, hotels, resorts, clubs and bridge.

材质及特点

- ◆ 灯体：采用优质不锈钢材质。
- ◆ 灯罩：仿云石灯罩
- ◆ 电源：220V, 50Hz/60Hz
- ◆ 适用光源：T4 或者 T5 光源
- ◆ 灯头：E27
- ◆ 颜色：优质专用户外塑，根据需求可做不同的颜色。
- ◆ 用途：适合于园林、广场、酒店、度假村、会所及桥梁。

YONGYUAN® 永安路燈 | YONGAN LIGHTING

Gravity Casting Lighting Series



